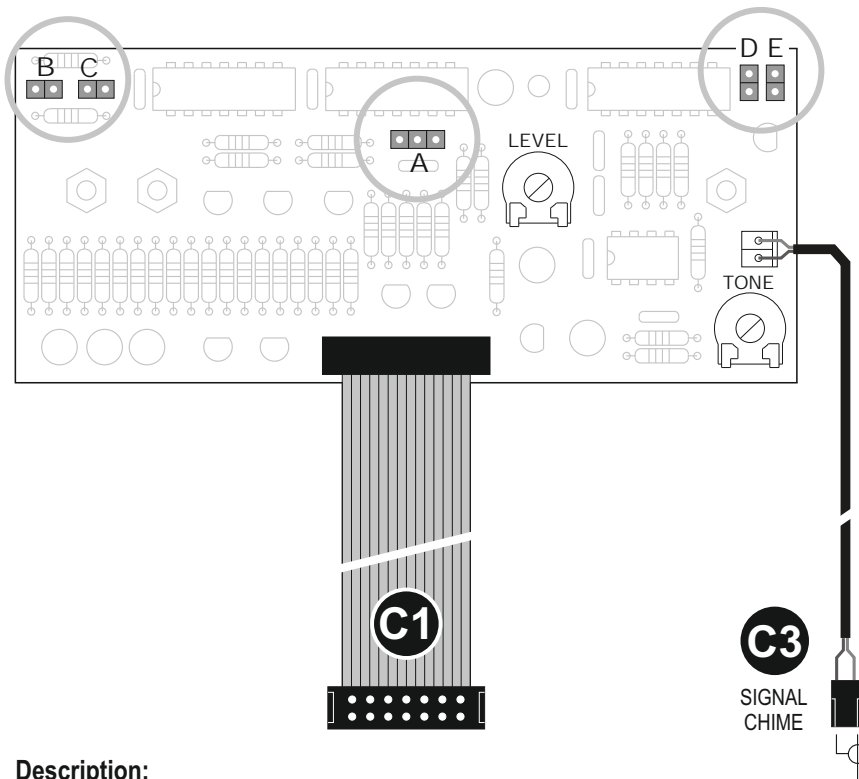


## Input priority and preannouncements module



| JUMPER A | OPERATING MODE SELECTION                       |
|----------|--|
|          | PRIORITY OF INPUTS 1 and 2 OVER 3, 4, (and 5*) |
|          | PRIORITY OF INPUT 1 OVER 2, 3, 4, (and 5*)     |

| JUMPERS B C | PRIORITY BETWEEN INPUTS 1 and 2 IN MODE 1 |
|-------------|---|
|             | FIRST IN / FIRST OUT                      |
|             | 1 over 2                                  |
|             | 2 over 1                                  |
|             | WITHOUT PRIORITY                          |

### Description:

Multifunction module **WX-30** allows audio inputs management on amplifiers and preamplifiers range AX and PX. As well as, this module generates preannouncement signals (chime) and acoustic tone signals.

### Operation - MODE 1 - :

When remote control in input 1 (or 2) is activated, modulation in inputs 3, 4, (and 5\*) is off, tone preannouncement is broadcasted, and audio channel in input 1 (or 2) is opened.

Priority level management between inputs 1 and 2, as well as preannouncement tone may be programmed (refer to programming board).

### Operation - MODE 2 - :

When remote control in input 1 is activated, modulation in inputs 2, 3, 4, (and 5\*) is off, tone preannouncement is broadcasted and audio channel in input 1 is opened. In this mode, no need to use remote control in input 2.

### Acoustic signals:

When remote control in input 4 is activated, the modulation in inputs 3, 4, (and 5\*) is off, and a chime signal is broadcasted permanently during the period of the remote control is operative. The remote control is a dry contact activated thanks to a push-button (programmable clock, etc..).

This function is under priority off inputs 1 and 2.

### Installation:

Install the module WX-30 inside amplifier AX or preamplifier PX and connect it according with correspondent diagram.

It is possible to adjust level and tone of chime.

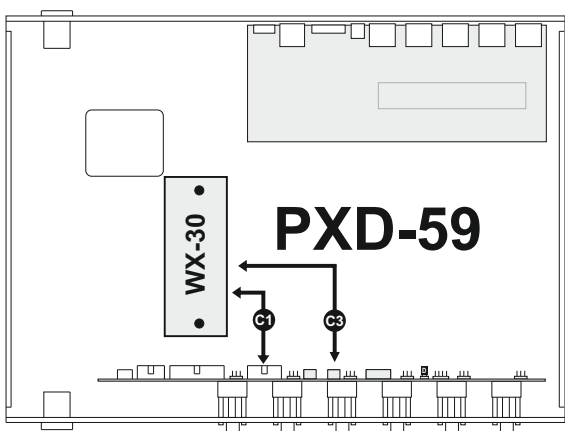
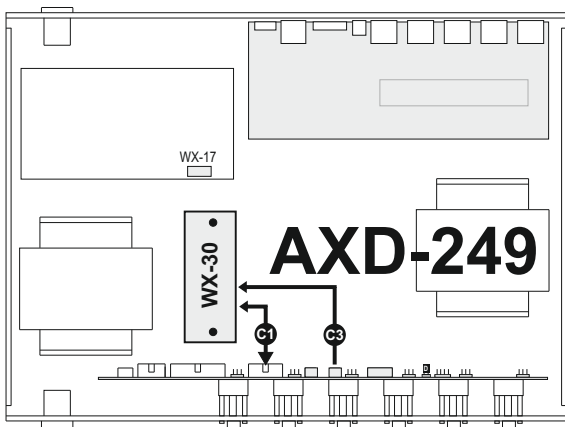
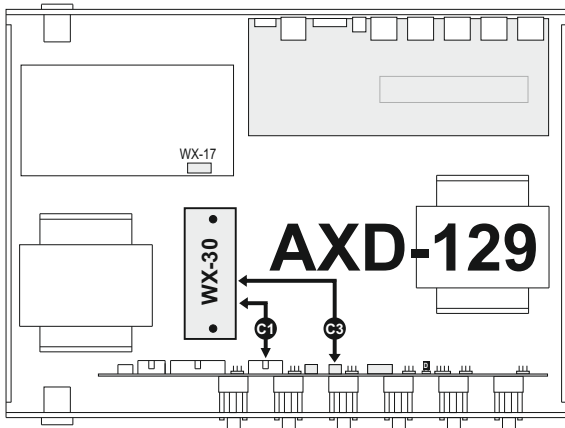
### Programming:

Connect jumpers A, B, C, D and E according with functions required (refer to programming board).

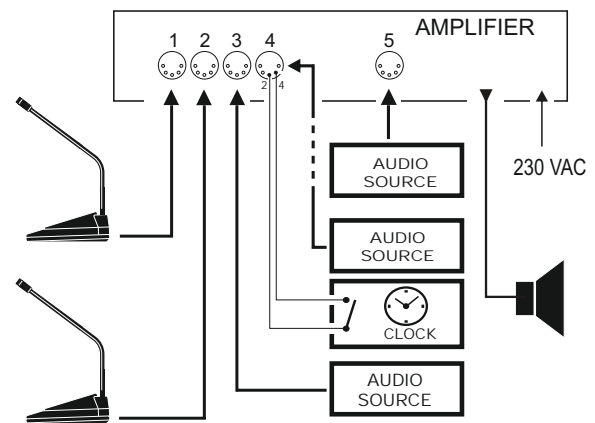
| JUMPERS D E | # TONES         |              |
|-------------|-----------------|--------------|
|             | PREANNOUNCEMENT | TIME SIGNALS |
|             | 2               | -            |
|             | 3               | -            |
|             | -               | 3            |
|             | -               | 2            |
|             | 2               | 3            |
|             | 3               | 2            |
|             | -               | -            |

## ASSEMBLY INSTRUCTIONS

- 1 - Remove the top cover of the product.
- 2 - Connect connection leads **C1** and **C2** according with here enclosed drawing.
- 3 - Assemble the **WX-30** module on the bracket using the screws supplied.
- 4 - Refit the cover.



### CONNECTION DIAGRAM - MODE 1



### CONNECTION DIAGRAM - MODE 2

