

### DESCRIPTION

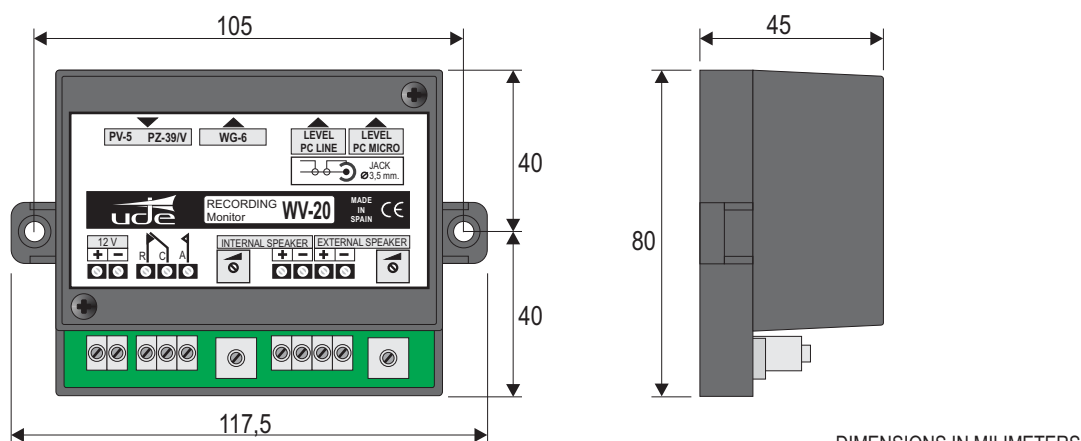
The **WV-20** recording monitor is designed to attach to the WV-6 intercom central in those places where, for safety reasons, it is necessary to record the conversations that take place through the system pass-through windows.

Provides audio signals, both inside and outside of the intercom central to monitor and / or recording through an external device: tape recorder, computer, etc.

It has two independent parameters-level indoor / outdoor to adjust the recording signal.

When the WV-6 central is started by the PV-5 switch or by the button of the desk PZ-39V, the signal will be present at the line out / microphone WV-20.

It also activates a voltage-free changeover contact for activating other devices (for example, a warning light "Recording in progress", etc.).

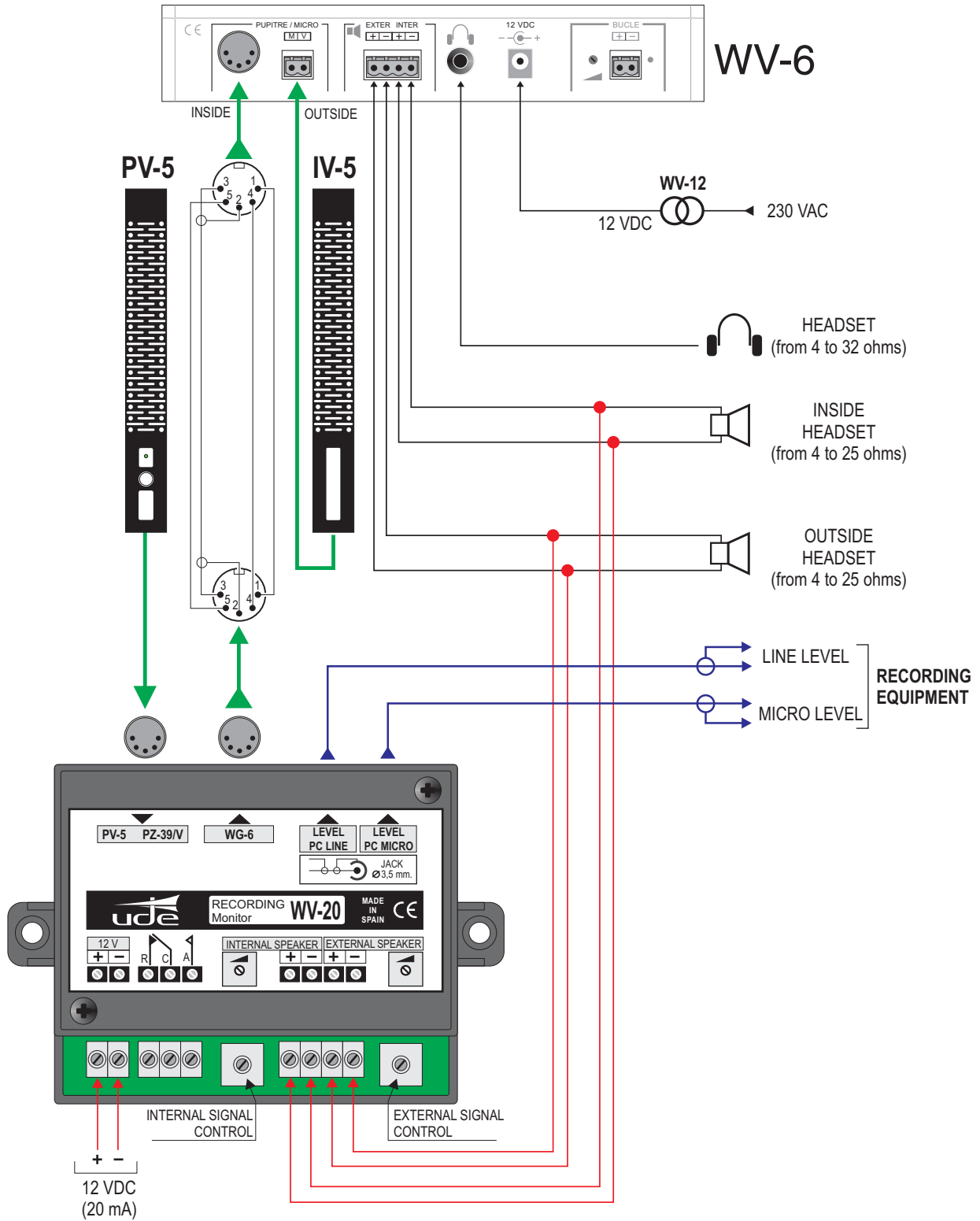


DIMENSIONS IN MILLIMETERS

**INSTALLATION**

**- Connect according to the diagram.**

Once the parameters of the WV-6 are ready, adjust the internal and external signal potentiometer of WV-20, to obtain an adequate signal at the output of the recording.



**Note:** To feed the WV-20 you can use a 12 VDC power supply or connect to 12 VDC of the WV-6, (consumption is very low: 20 mA). To do this, it has to be connected by derivation of the wire 12 VDC. Take precautions to avoid short circuits and verify that the polarity is correct.