

UD-360

PORTABLE SOUND SYSTEM 50W. RMS



What's in the Box:

- 1 **UD-360** portable PA System with shoulder trap.
- 1 Wired Hand Held Dynamic Mic Kit. **HT-32**
- 1 Head microphone ref. **HM-11**
- 1 Remote control
- 1 AC/DC adapter
- 1 Storage bag

DESCRIPTION

Versatile portable PA system, composed by **50W RMS** amplifier that works with AC power from 100 to 230 VAC or with an internal rechargeable battery.

The **UD-360** incorporates wireless diversity microphone receiver, dynamic microphone input, USB input, one audio input and one audio output. All of this audio source can be managed in an easy way by the operator giving high characteristics in concentrate equipment.

Applications: education, sport, tourism...



EQUIPOS Y SISTEMAS MEGAFONÍA / INTERCOM • PUBLIC ADDRESS SYSTEMS

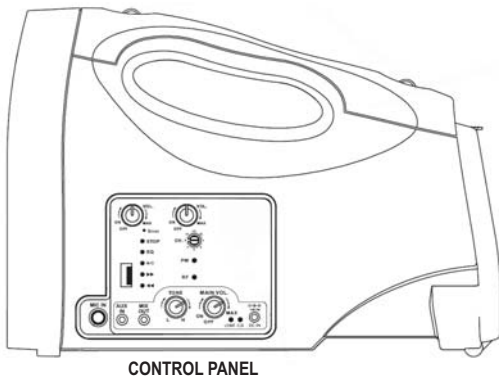
UNIÓN DESARROLLOS ELECTRÓNICOS

Tel.: +34 934 772 854 / +34 609 914 787 • ude@udeaudio.com • BARCELONA - SPAIN

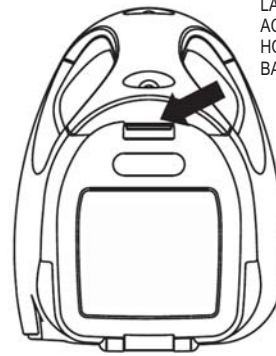


www.udeaudio.com

rev.0 610.370A 1 / 3

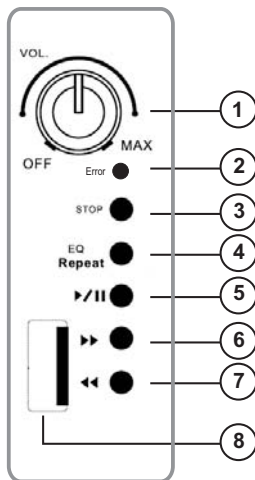


CONTROL PANEL



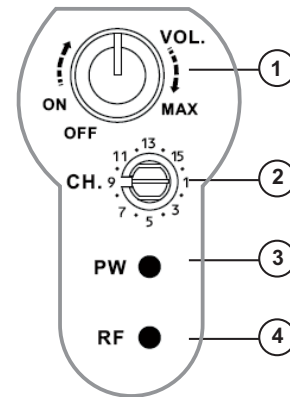
LATCH FOR ACCESS TO HOUSING BATTERY

UBS CONTROLS



- 1- Power: ON / OFF and volume control.
- 2- Error reading indicator.
3. STOP. ■ stop the selection from playing.
4. EQ / REPEAT:
Press button to change between:
NORMAL / POP / ROCK / JAZZ / CLASSIC / COUNTRY.
Hot 3 seconds pressing to change repetition mode.
OFF / SINGLE / ONE / FOLDER / ALL / RANDOM.
5. PLAY / PAUSE. ■■
6. UP. ►► skips forward to the next selection
7. DOWN. ◀◀ skips back to the previous selection
8. USB input.

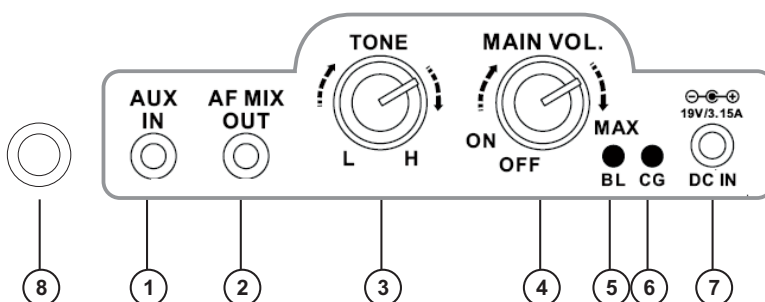
RECEIVER MODULE 1 CHANNEL WIRELESS MICROPHONE



1. ON / OFF switch module / volume control.
2. Manual channel selector (16 channels selectable).
3. ON indicator.
4. RF reception indicator.

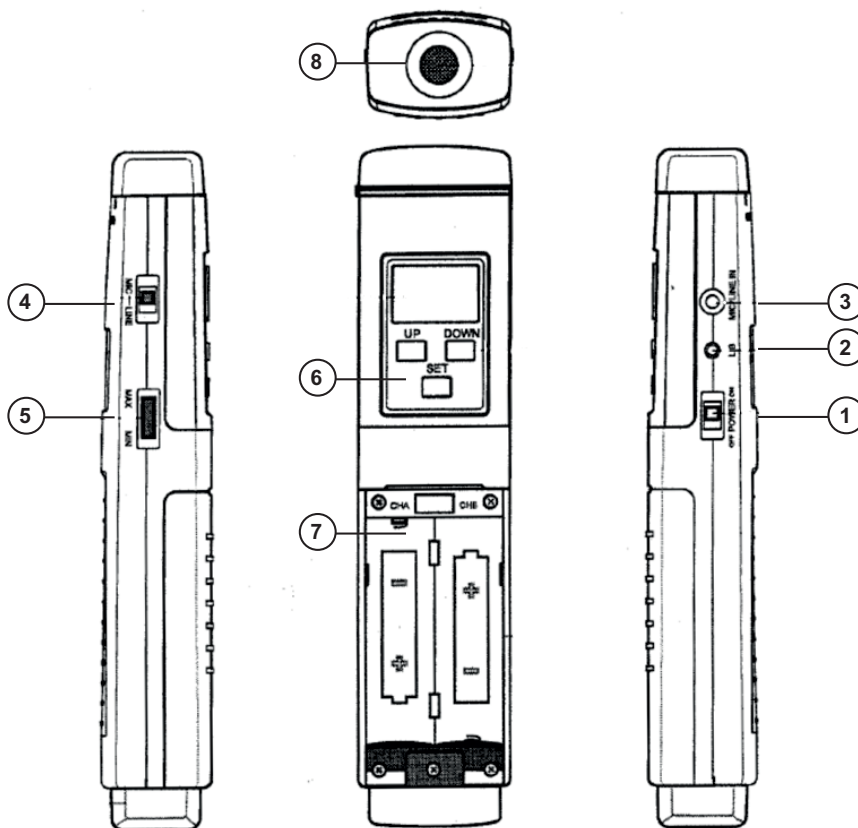
MASTER CONTROLS

1. Jack 3.5mm audio input for USB, MP3, CD, DVD and other audio devices.
2. Jack 3.5mm mixer output jack for recording or connecting to external PA system.
3. Treble control.
4. Power ON / OFF and main volumen.
5. Power status LED.
6. Charging statud LED light
LED ON: battery charged
Flashing LED: no battery power
7. DC input jack for AC adapter
8. Dynamic microphone input



HANDHELD AND HEAD MICROPHONE UT-32

HEADSET HM-11



1. Power: ON / OFF.
2. Power status LED.
LED ON: battery charged.
Flashing LED: no battery power.
3. Head microphone / LINE input.
4. Input selector MIC / LINE.
5. Volume control.
6. Manual channel selection and display.
Select a channel (1-16) on microphone using
- Press SET.
- Press UP/ DOWN to select channel number.
- Press SET, channel selected should match
channel on receiver.
7. Battery compartment can be inserted:
2 alkaline batteries type: 1,5V AA / LR16
8. Capsule.

TECHNICAL DATA

- Rated Power Output:	50 W.
- UHF wireless frequency:	UHF (UHF 863-865 Mhz).
- Speaker:	5 1/4 " / 4 ohms.
- Frequency response:	60-20000 Hz (± 3 dB).
- Sensitivity (micro / aux):	15 mV / 230 mV.
- T.H.D.:	< 1%.
- Time of use:	from 6 to 8 hours (depending on the volume).
- Battery:	Internal battery 14,4V / 2,6 A-h.
- AC Power:	100-240 VAC / 19VDC-2,63A.
- Weight:	2,2 Kg.
- Dimensions:	290 x 160 x 210 mm.

CAUTION:

1. Turn microphone unit off when charging.
2. When battery indicator shows the charge is empty (shows yellow) please charge as soon as possible to extend the life of the battery.
3. Do not use any other type battery than the supplied