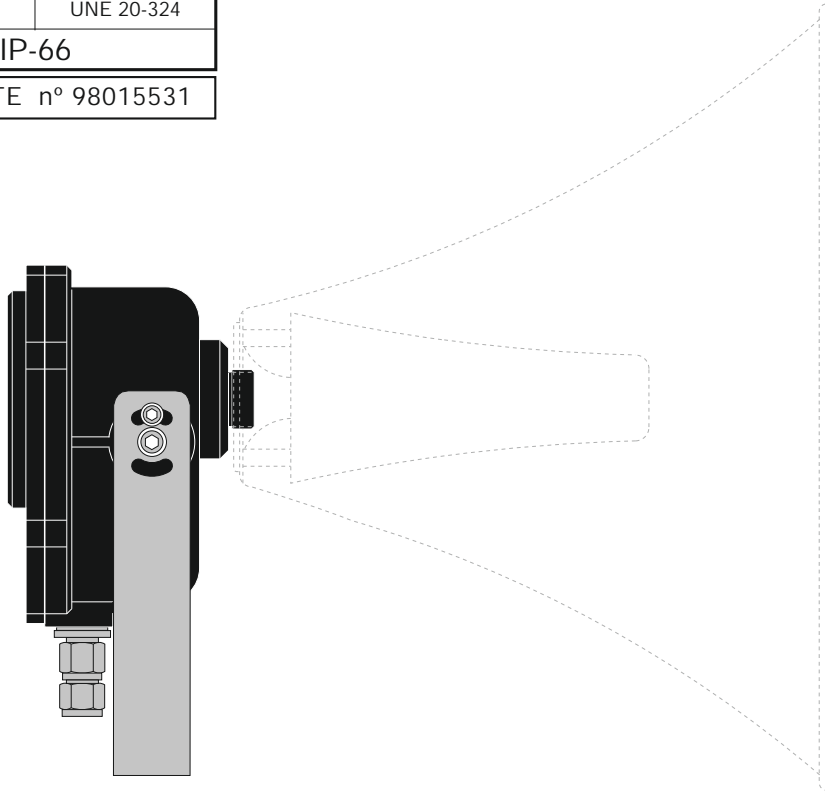


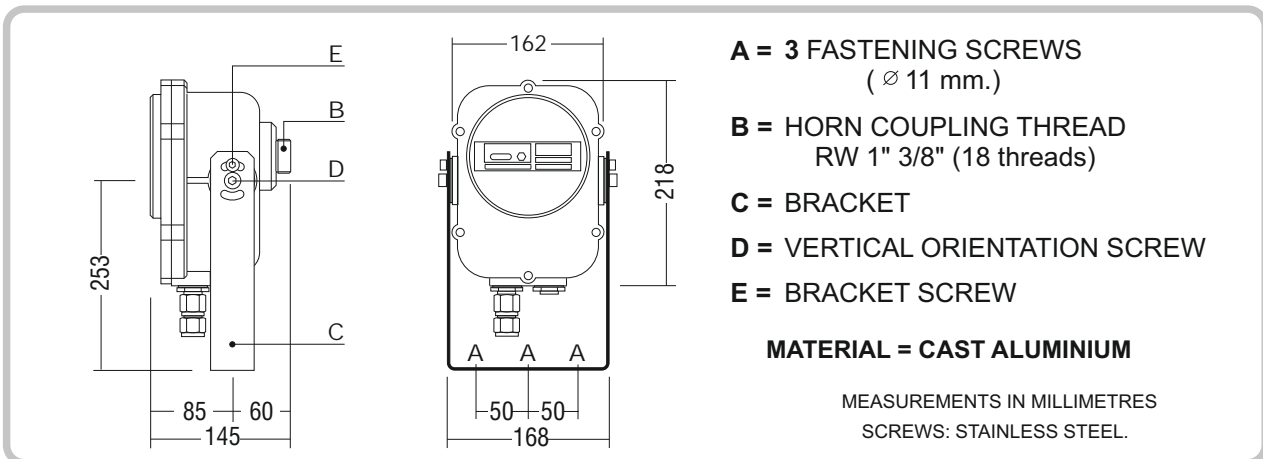
DEGREE OF CASING PROTECTION		
STANDARDS	EN 60529	UNE 20-324
IP CODE	IP-66	
L.G.A.I. CERTIFICATE nº 98015531		



TECHNICAL CHARACTERISTICS

- Rated power:	35 W.	- Impedance:	16 Ω.
- Sensitivity (*):	107 dB 1 W/1 kHz/1 m.	- Cable input:	1 3/4" NPT cable gland.
- Frequency range:	150 to 10000 Hz.	- Weight:	5 Kg.

(*) with BG-50/E horn.



DESCRIPTION

The SM-30 35 W RMS watertight driver has an impedance of 16Ω . The surround casing is made of aluminium alloy and the screws are made of stainless steel. It is connected to exponential horns with RW 1" 3/8 threads (16 wires per inch).

INSTALLATION

Its steel bracket means it can be placed to face in any direction, and can also be fixed permanently using two screws which are provided for this purpose.

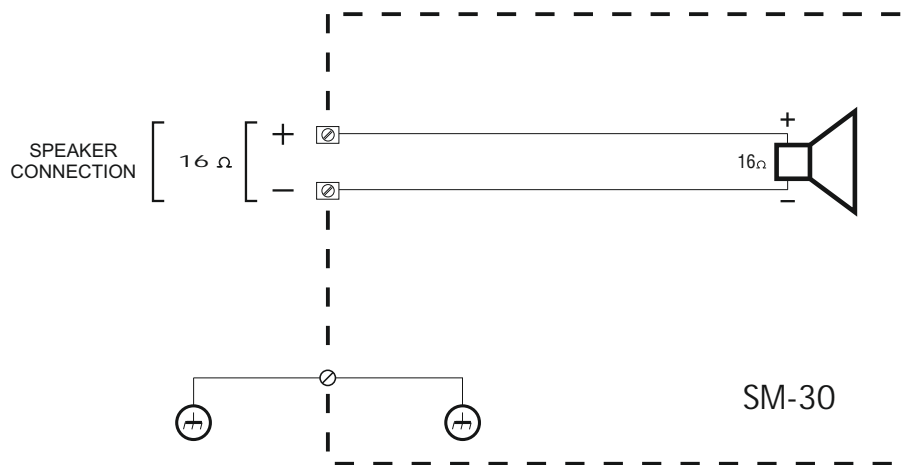
The cable is run in through a 3/4" thread NPT cable gland. If necessary, several speakers can be connected in parallel by removing a threaded obturating plug, and fitting a second stuffing box in its place, thereby simplifying installation.

APPLICATIONS

For indoor and outdoor public address installations, as well as in industrial and marine environments.

Certificate: L.G.A.I. n° 98015531

Valid for all EEC countries, and others.



TYPICAL INSTALLATION

