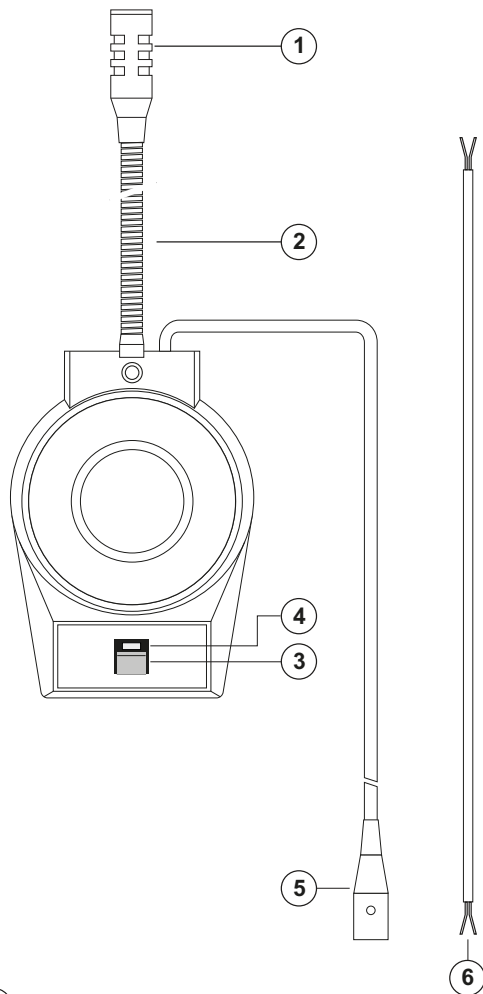
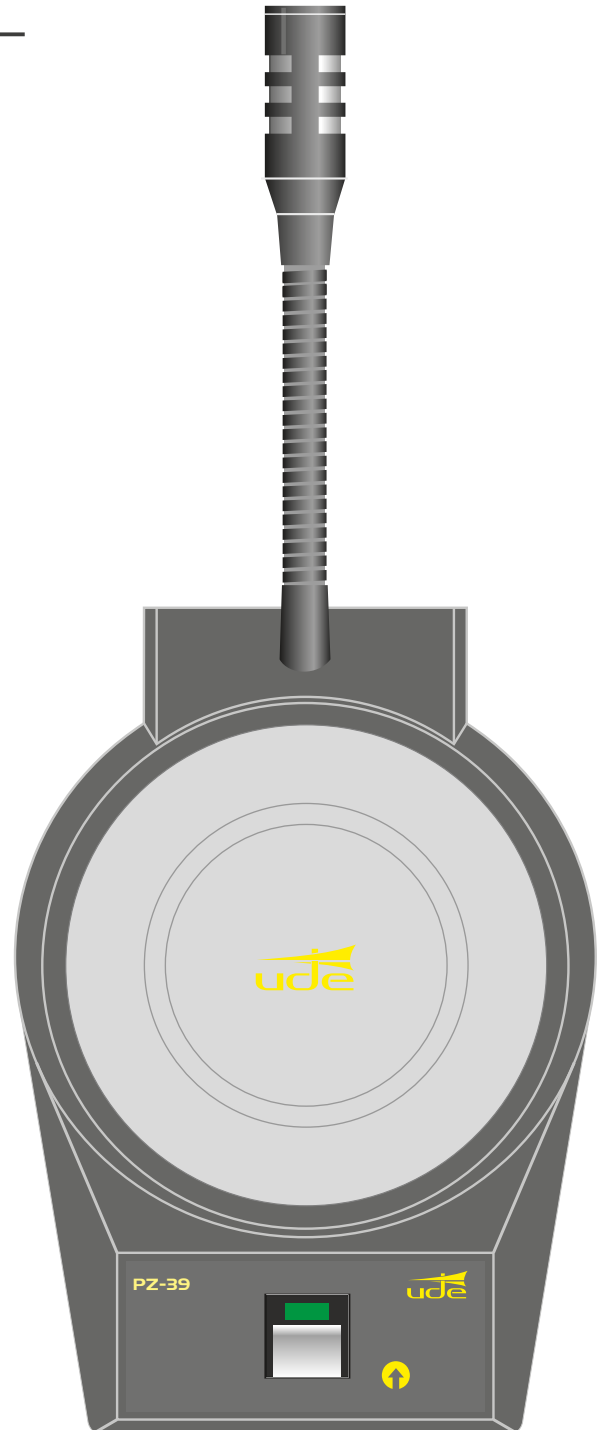


Description

Micrófono de avisos con flexible, base de sobremesa y pulsador de "hable".
Conexión mediante conector XLR.



- ① – Microphone capsule.
- ② – Gooseneck microphone.
- ③ – PTT (Push to talk) button.
- ④ – LED status.
- ⑤ – XLR male with 3 m. long audio wire.
- ⑥ – Remote control wire (supplied) with 3.2m long.



Installation

PZ-39 factory configuration is:

- XLR audio output.
- Remote control wire to connect with UDE equipments.
- Phantom power from 12 to 24Vdc.

The XLR connector can be plug direct to an UDE amplifiers / preamplifier, with XLR socket and **microphone with phantom power configuration**.

In necessary case, you may configure:

- 1.- Remove back cover of the microphone (**see figure 1**).
- 2.- Choose the power supplied mode:
PZ-39 operates with phantom power supply from 12 to 24Vdc.
For phantom power supply between 24 to 48Vdc, cut resistances R4 and R6 (2k7) on circuit board 107.287 (**see figure 2**).
- 3.- **Remote control configuration:**
Connect the remote control wire between TM4 and RTM5 from the terminal block inside the paging desk; pull out through the second cable gland (**see figure 3 and note 1**).
- 4.- Connect audio cable to an amplifier or preamplifier:
 - 4.1- Connect the PZ-39 with a XLR output + remote control wire (**see figure 3**).
 - 4.2.- Connect the PZ-39/DIN through a DIN connector (**see figure 4**).
- 5.- Refit the back cover (**see figure 1**).

Note 1:

The paging desk has a XLR male with 3 m. long audio wire and remote control wire with 3.2m long. Also has an internal terminal block for an easy swap wire operation, according on the installation necessities.

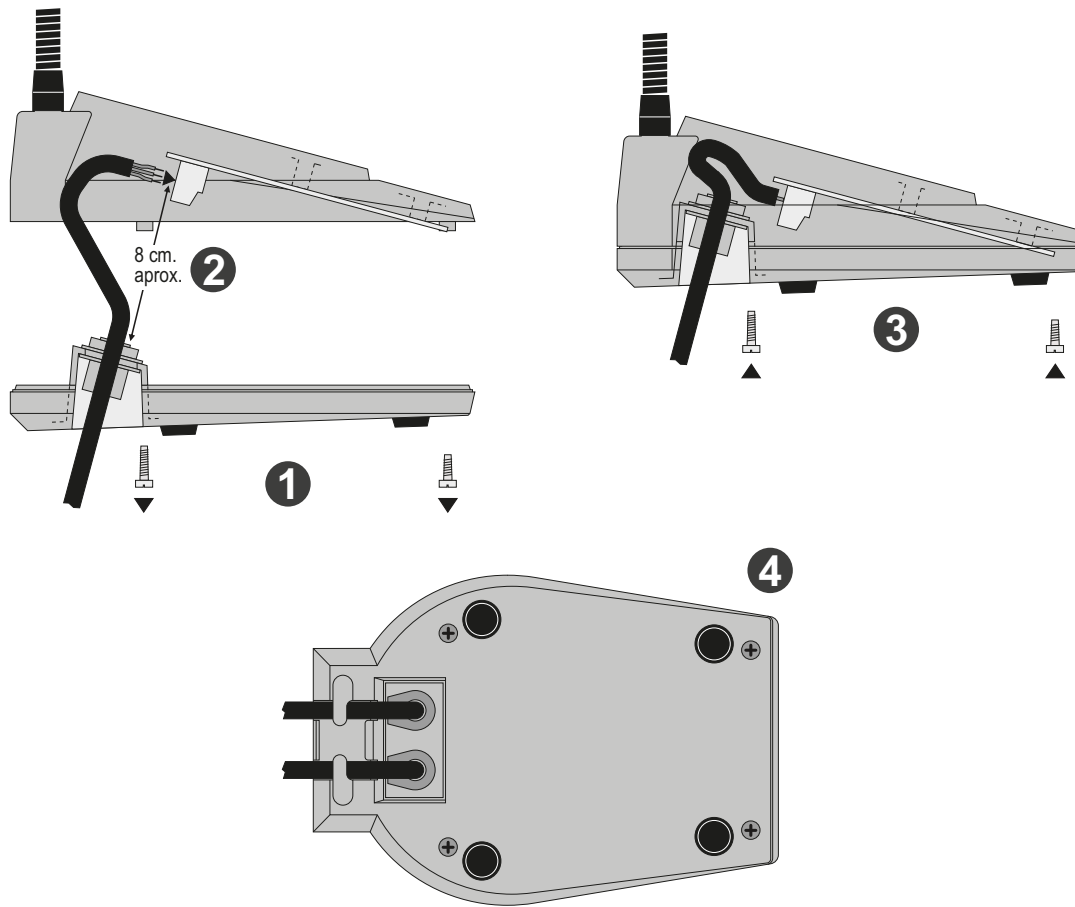


ATTENTION:

UDE can provide a DIN male audio wire instead of the XLR + remote control.
Tell this option in the order time (ref. PZ-39/DIN).

OPEN AND CLOSE PROCEDURE

Figure 1

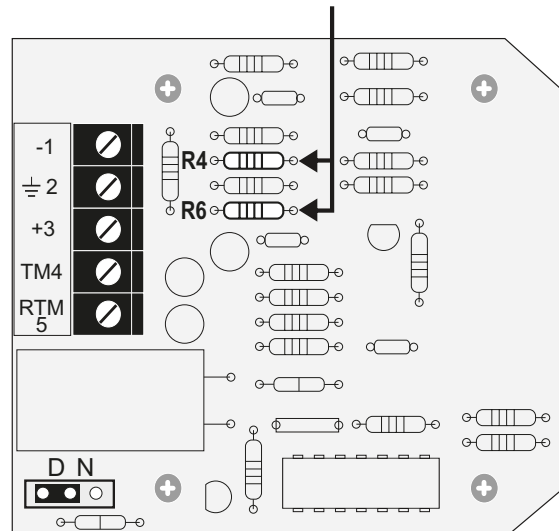


MICROPHONE CONFIGURATION

Figure 2

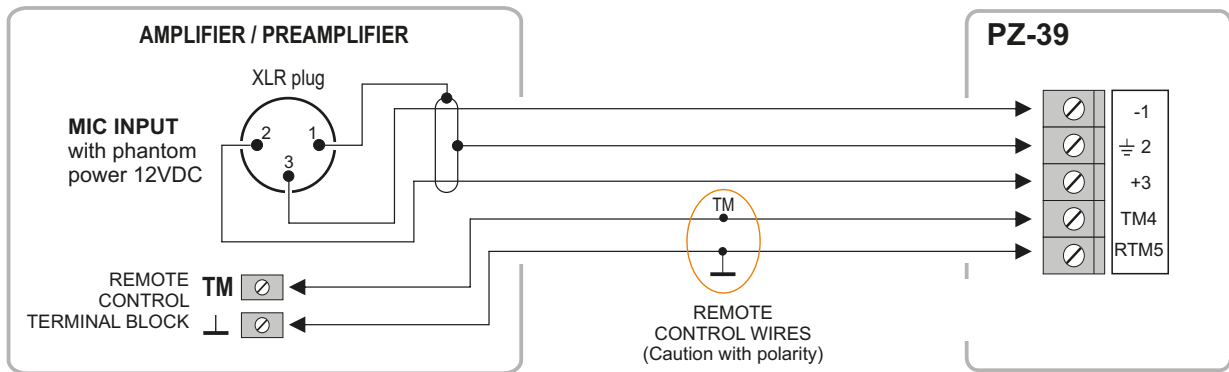
PHANTOM POWER SUPPLY BETWEEN 24 to 48 VDC

Cut resistances
R4 and R6 (2K7)



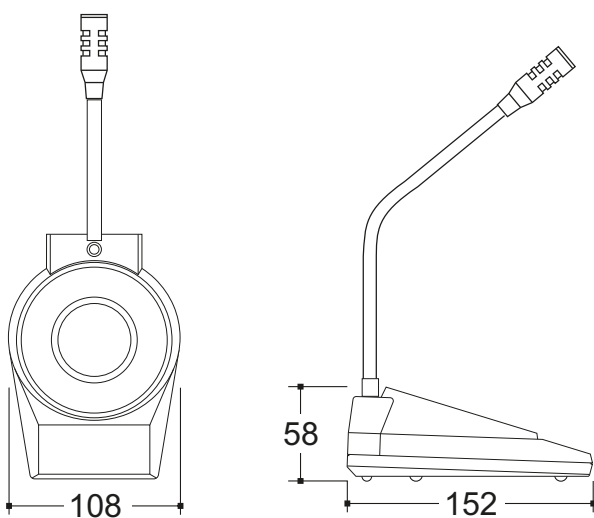
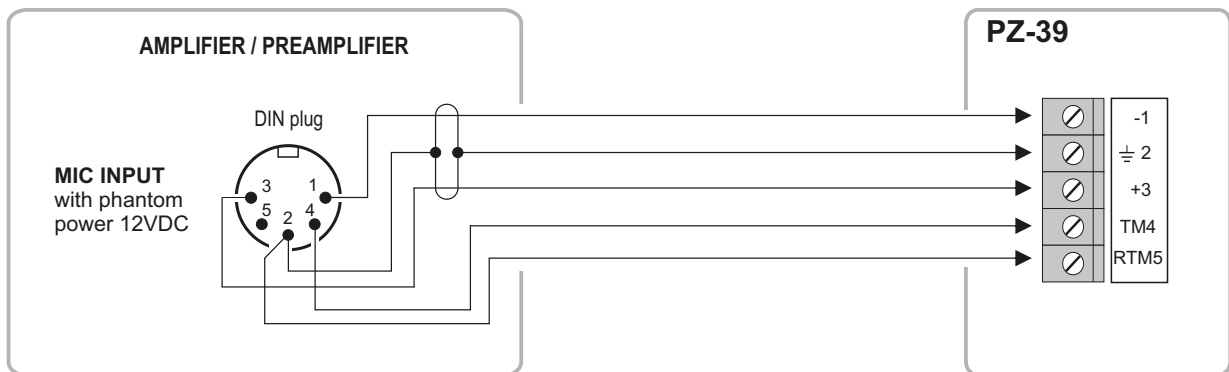
CONNECTION WITH XLR CONNECTOR

Figure 3



CONNECTION WITH DIN CONNECTOR - OPTIONAL

Figure 4



Gooseneck length: 300 mm.
DIMENSIONS IN MILLIMETRES

- Unidirectional electret microphone.
- Signal output: Balanced.
- Impedance: 600 Ω .
- Audio Plug: XLR.
- Power supply: Phantom.
- Sensitivity: -67 dB (0 dB = 1 V / μBar).
- Frequency response: 150 Hz to 10 kHz.
- Material: ABS / Metal.
- Colour: Grey.
- Cable length: 3 meters.
- Weight: 400 grams.