

Switching power supply (24 VDC)

Description

The SW-25 / IW-25 power supplies are built-in units and must be mounted in box or control cabinet with a mounting DIN rail system fixed inside the box. All power supply sides must have a clearance of at least 30mm space for cooling.

Input connection AC with rated voltages of 100V-240V / 50/60Hz.

Output connection +24 V DC Voltage / 3,5A, isolated, Short-circuit-proof.

Specifications at rated input voltage and ambient temperature +25°C (unless otherwise specified).

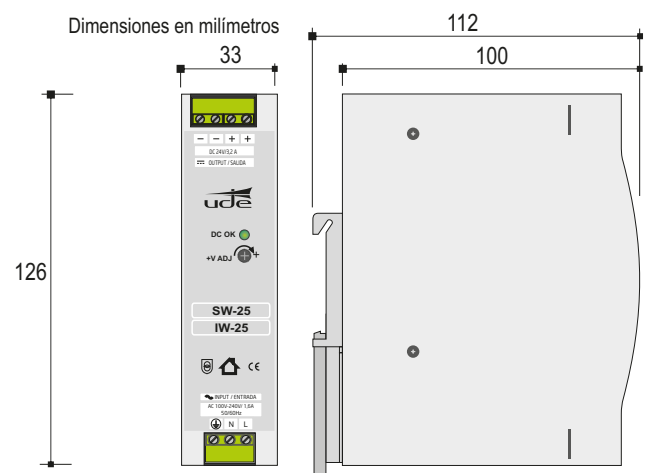
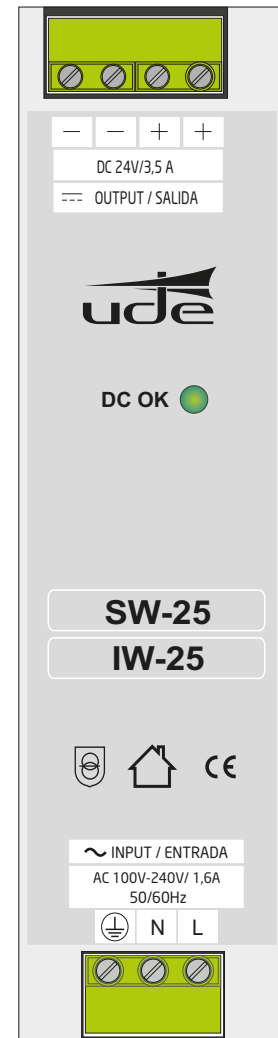
- Switched-mode power supply.
- Short circuit protection (SCP).
- Overpower protection (OPP).
- Line filter incorporated.
- DIN rail mounting.
- High efficiency
- LED indicator for power ON

Installation

- When a system uses more than one power supply (SW-25 / IW-25), all neutral input should be interconnected.
- All SW-25 / IW-25 power supply should be in the same electrical installation (230VAC).
- Do not block the cooling system due the normal convection. All sides 30mm free space for cooling is recommended.
- The device must be mounted in such a way the input terminals must be placed at the bottom and the output terminals must be place at the top.
- Snaps onto DIN rail EN 60715 35x7.5/15

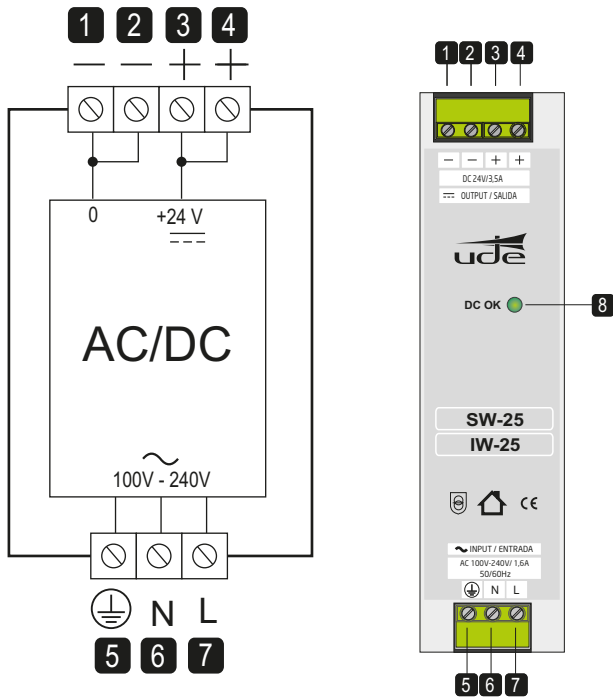
Safety precautions

- Do not expose the unit to rain, an environment where it may be splashed by water or other liquids. Do not place cups, bowls or other liquid containers on the equipment.
- Connect equipment to a safety ground (earth).
- Fix the power supply with a standard rail DIN, avoid installing or mounting the unit in unstable locations.
- Installation should accomplish with all local, regional and national regulations according the country where it is installed.
- Setup and operation of this device are permitted only if the instructions and warnings of the corresponding documentation are observed.
- Only qualified personnel are allowed to install the device and set it into operation.



Warning: To avoid damages, this equipment should be strongly fix to the floor/wall according the SW-25 / IW-25 instructions.

Block diagram



PIN ASSIGNMENT

Pin No.	Designation	Description
1	-	Negative output terminal
2	-	Negative output terminal
3	+	Positive output terminal
4	+	Positive output terminal
5	⊕	GND Ground terminal
6	N	GND Ground terminal
7	L	Phase input
8	DC ON	ON DC ready indicator

Charging characteristics

SW-25

SRDSystems		NUMBER OF POWER SUPPLIED EQUIPMENTS	
EQUIPMENTS			
MAIN POWER SUPPLY			
SR-200	1	SR-204	80
SW-18	1		
SR-204	60		

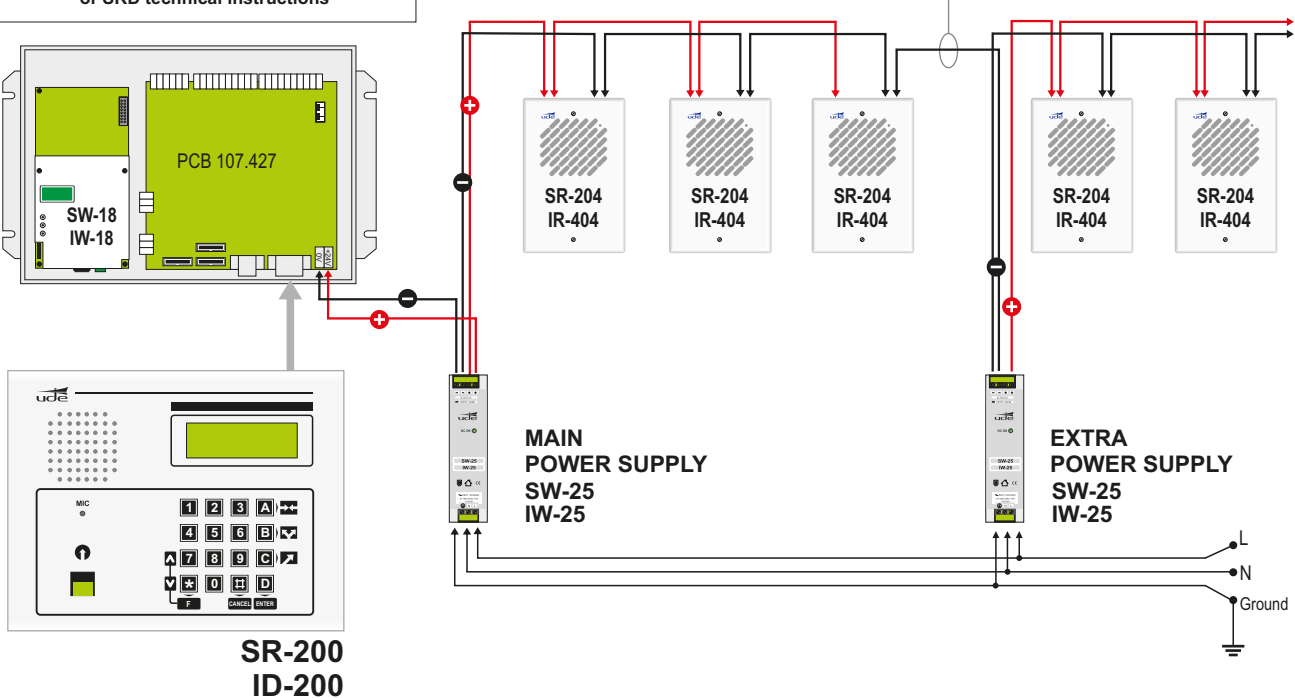
IW-25

INTERCOM-200System		NUMBER OF POWER SUPPLIED EQUIPMENTS	
EQUIPMENTS			
MAIN POWER SUPPLY			
ID-200	1	SR-204	120
IW-18	1		
IR-404	120		

POWER SUPPLY DIAGRAM

For more information see INTERCOM-200 or SRD technical instructions

When the installation has many power supplies all 0V plugs of each SW-25 / IW-25 must be interconnected.



SR-200
ID-200