

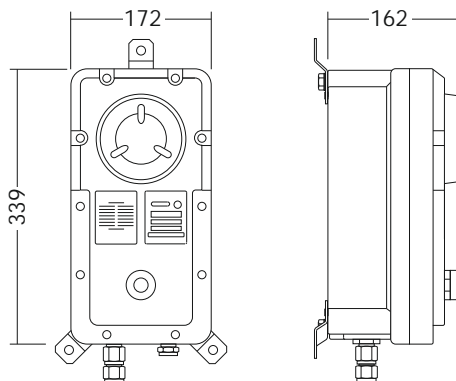
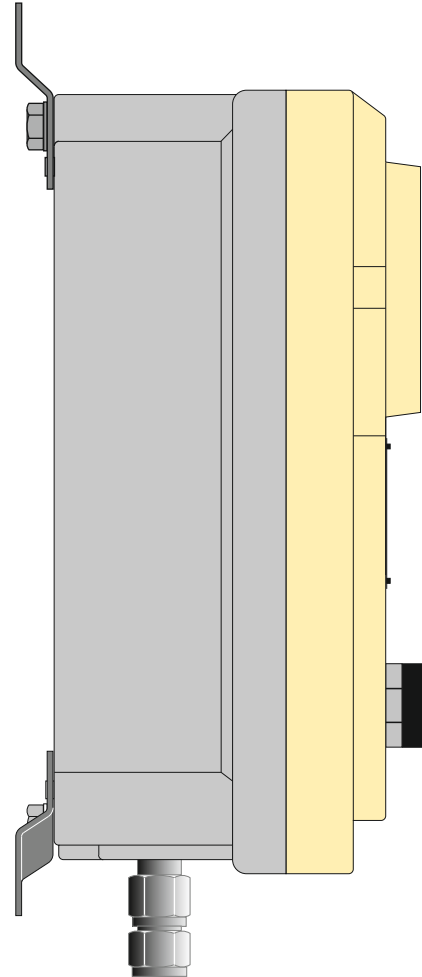
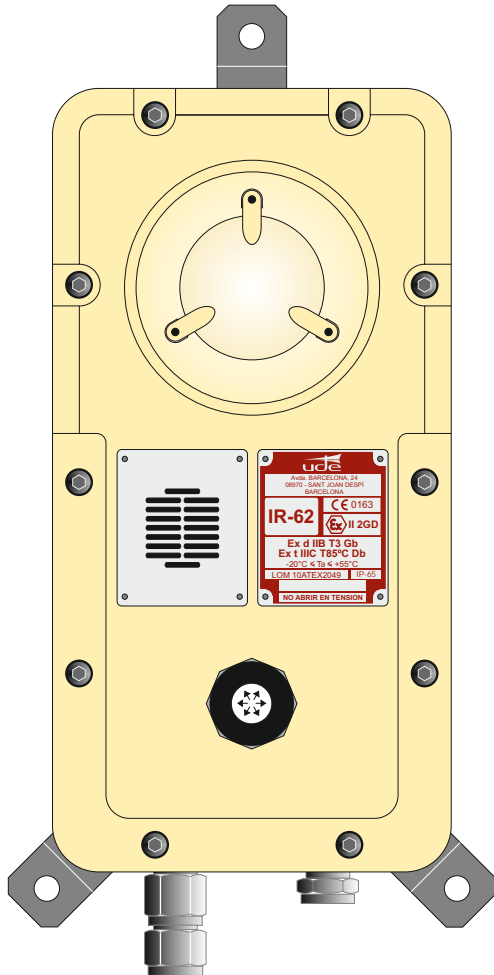
# IR-62/1

Explosion proof secondary station for intercom systems



II 2GD  
Ex d IIB T3 Gb  
Ex t IIIC T85 °C Db  
-20 °C ≤ Ta ≤ +55°C

Certificate: LOM 10ATEX2049



MEASUREMENTS IN MILLIMETRES

## TECHNICAL CHARACTERISTICS

- 30 W. power loudspeaker with impedance transformer (330/660/1400/3300 Ω).
- Electret microphone with antinoise system
  - Line pre-amplifier.
  - 24 VDC. phantom power supply.
  - Call / general message push-button.
- Cable input/output: NPT 3/4" cable gland.
- Weight: 11 k.
- Material: Cast aluminium.



EQUIPOS Y SISTEMAS MEGAFONÍA / INTERCOM • PUBLIC ADDRESS SYSTEMS

**UNIÓN DESARROLLOS ELECTRÓNICOS**

Tel.: +34 934 772 854 / +34 609 914 787 • ude@udeaudio.com • BARCELONA - SPAIN

[www.udeaudio.com](http://www.udeaudio.com)

rev.0 | 610.080a | 1 / 2

## DESCRIPTION

The **IR-62/1** explosion proof microphone for transmitting/receiving messages has been developed as per the EN 50018 and EN 50281 standard for application in explosion-risk industrial and marine settings (**LOM 10ATEX2049 - certified**), and is valid for all European Union countries).

It can be used in atmospheres with gases classified in Groups **A** and **B**, with an ignition temperature above 200°C (**T3**), which means that the **IR-62/1** can be used in a great number of safety installations.

Surface temperature mark "T85°C" is applicable for areas with combustible dusts but without gaz.

Its function is to issue and receive public address messages.

## APPLICATIONS

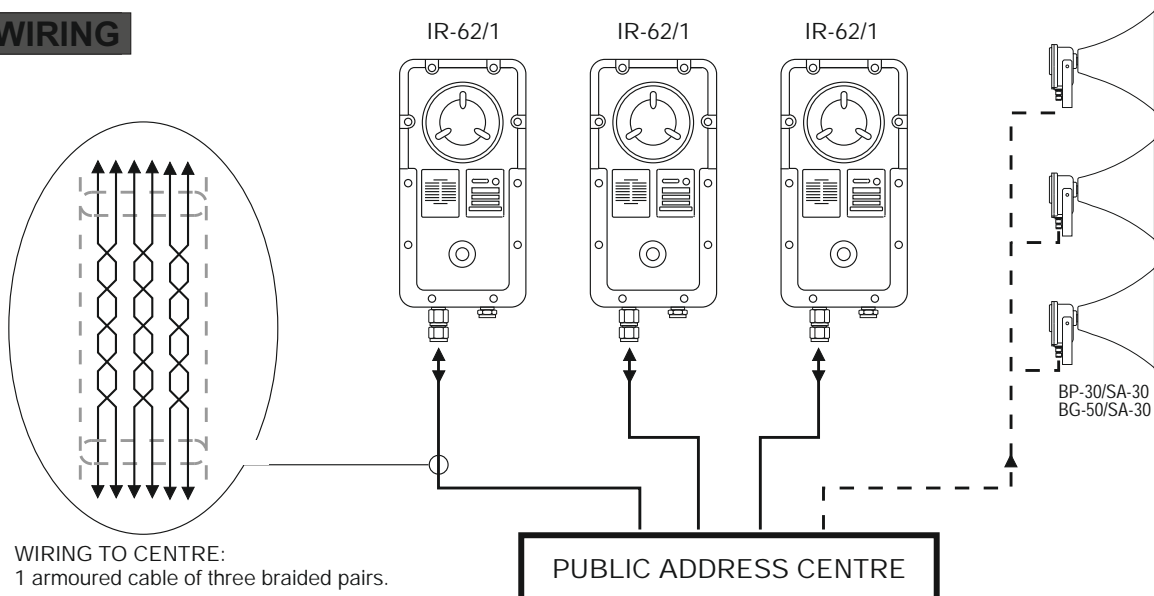
- Petrochemical
- Loading, unloading areas and gas storage
- Gas pipelines (issuing and receiving stations).
- Chemical industries
- Silos.
- Methane tankers.
- Oil tankers.
- Oil rigs.
- etc.

## COMPOSITION

**The equipment consists of:**

- High-performance 30 W message reception speaker. Consisting of a compression driver and an exponential horn built into the structure.
- Impedance transformer.
- Microphone with noise-elimination circuit.
- Call and/or general message pushbutton.
- Line preamplifier with balanced output.
- Cast-aluminium surround housing.
- Outside screws in stainless steel.
- Cable input and output through NPT 3/4" stuffing-box (bottom).
- Wiring via screw-in terminals, on the inside.

## WIRING



- FOR OTHER APPLICATIONS SEE: IR-62/2, IR-62/3, IR-62/P.