

## DESCRIPTION

**INTERCOM-200 System** enables optical and audible signalling of calls made from different zones and to establish two-way intercom spoken between each intercom and the central.

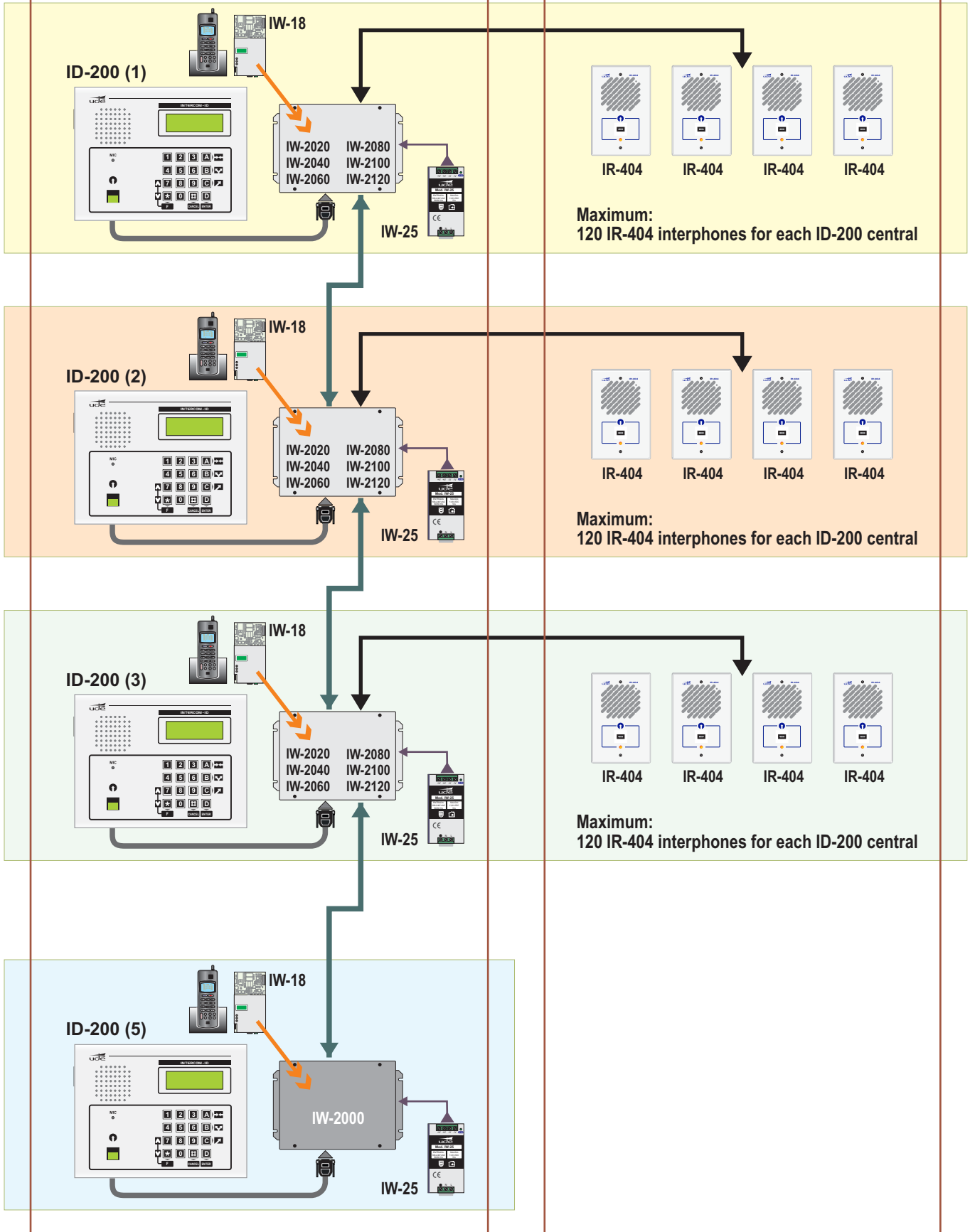
## SYSTEM FUNCTIONS

- **Standard call** with appeal brief.
- **Visual and acoustic signaling** in the standard call control central.
- **Cancellation of the standard call center.**
- **Transfer the management of calls between the control centrals.**
- **Transfer calls management to a DECT telephone or a switchboard**, by module SW-18 (**optional**).
- **Standard sound call** of control central by an external amplifier (**optional**).
- **Public address call** from an ID-200, needs extra equipment like and audio amplifier and audio transformer (404.072) (**optional**).

## INTERCOM-200 STRUCTURE

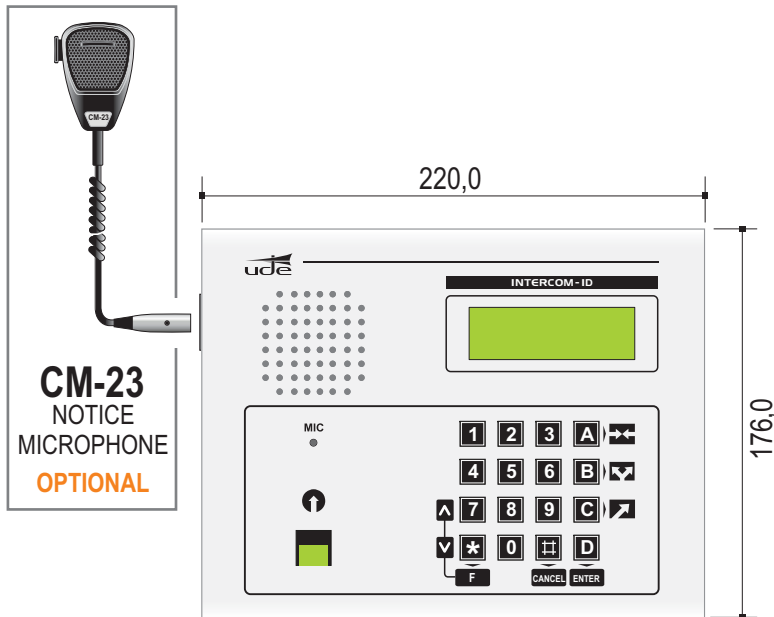
Maximum: 5 ID-200 centrals

Maximum: 300 interphones



## DIMENSIONS / ACCESSORIES

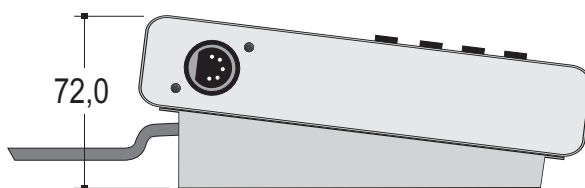
### ID-200 CENTRAL



**CM-23**  
NOTICE  
MICROPHONE  
OPTIONAL

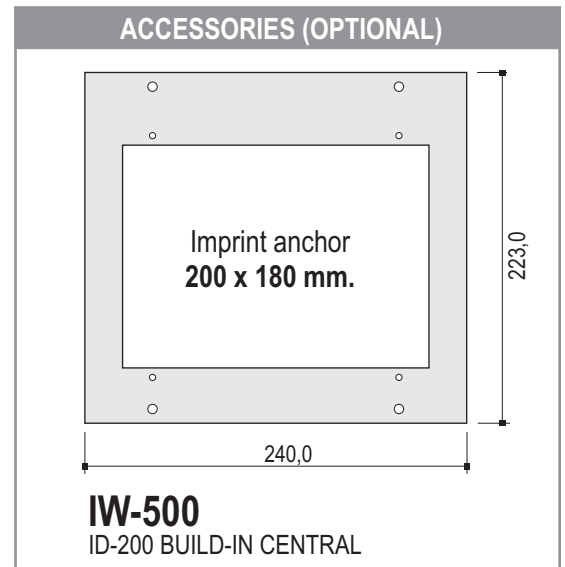
**Control central point ID-200, office format, with:**

- Lines and functions selection keyboard.
- Alphanumeric LCD display backlit 4 x 20 characters.
- Built-in electret microphone.
- Connectors for microphone believe CM-23.
- Speaker of receipt.
- Reception and acoustic tone of appeal level setting.
- Visual and acoustic signalling calls.
- Visual indication of the selected area.
- Alphanumeric keyboard.
- Its main function is signalling and call management made in different rooms and intercommunication with them.



By the software **UDECONF-ID200** you can configure in the ID-200 central the following parameters:

- Name and ID number of the ID-200 desk.
- Name of each zone.
- Extension number of each zone.
- Zones assigned to each desk.
- Floor/Group situation zone.
- Name of each zone to give the message by telephone interface.

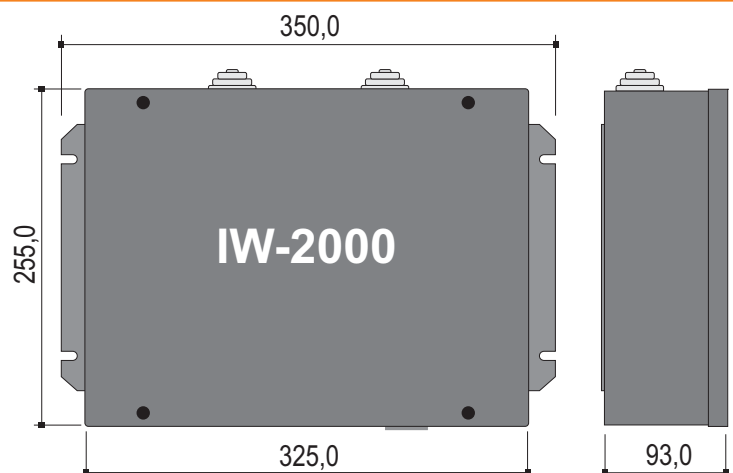


### TRANSFER MODULE

#### Transfer Module.

Allows the connection of a second ID-200 station. It is therefore possible to divert all calls to its management system in this central.

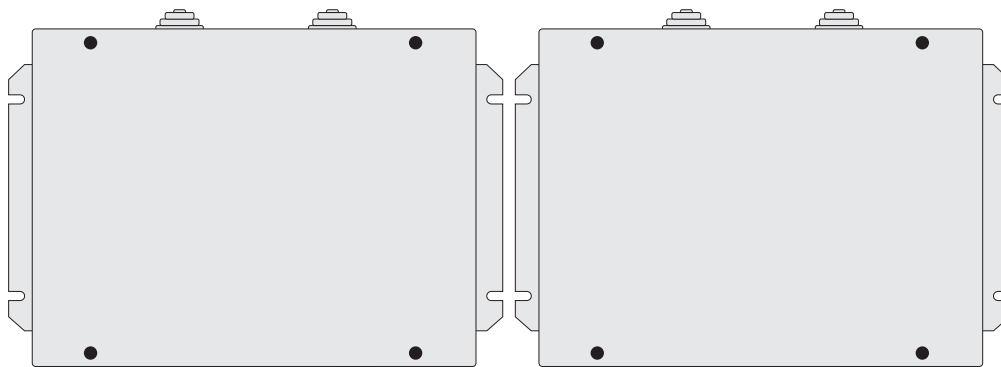
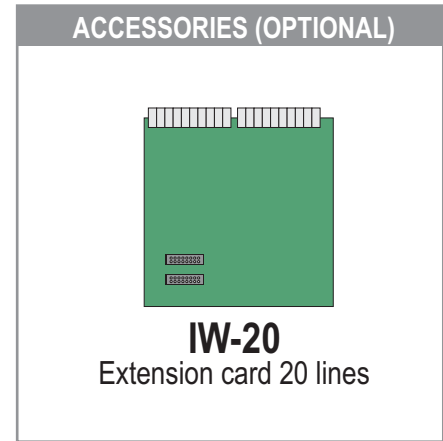
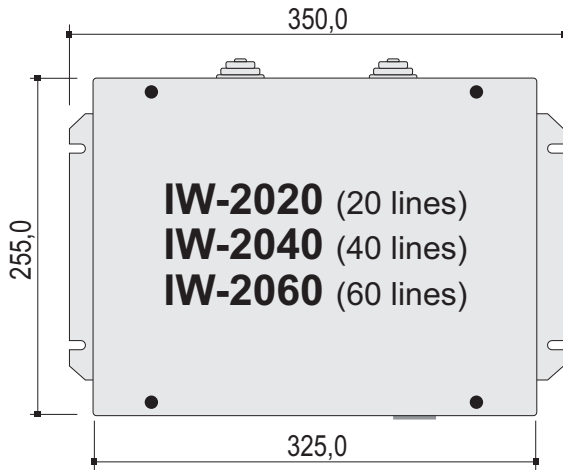
**Note.** This module does not allow the connection of secondary and still requires an IW-25 power source.



## DIMENSIONS / ACCESSORIES

### MANAGEMENT, TRANSFER AND CONNECTION MODULE

**Management, audio and connections module.**  
Allow connection with intercom and an ID-200 central.



**IW-2080** (80 lines) = IW-2060 + IW-2020

**IW-2100** (100 lines) = IW-2060 + IW-2040

**IW-2120** (120 lines) = IW-2060 + IW-2060

### POWER SOURCE

#### Power source IW-25

Exchanged power source of 24 Vdc high-performances. DIN rail mounting. By the number of secondary, may need more than one source.

#### IW-25



LOAD CAPACITY	
MAIN SOURCE	
ID-200	1
IW-18	1
IR-404	60

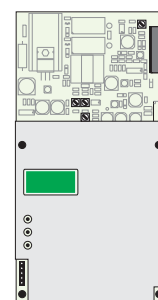
LOAD CAPACITY	
EXTRA SOURCE	
IR-404	80

### TELEPHONE INTERFACE

#### Telephone interface IW-18.

It allows you to forward calls to a two threads phone (type DEC) or a PBX to manage incoming calls in the ID-200 central diverted to the phone.

Each ID-200 central can support one IW-18 module.

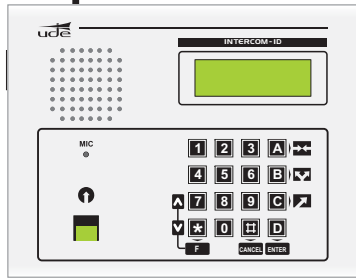


#### IW-18

## TYPICAL PATTERN INSTALLATION

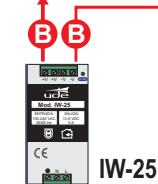
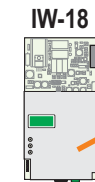
**INTERCONNECTED DESKS**  
2 intertwined and armored cables  
2 x 0,34 mm<sup>2</sup> section min.

### ID-200

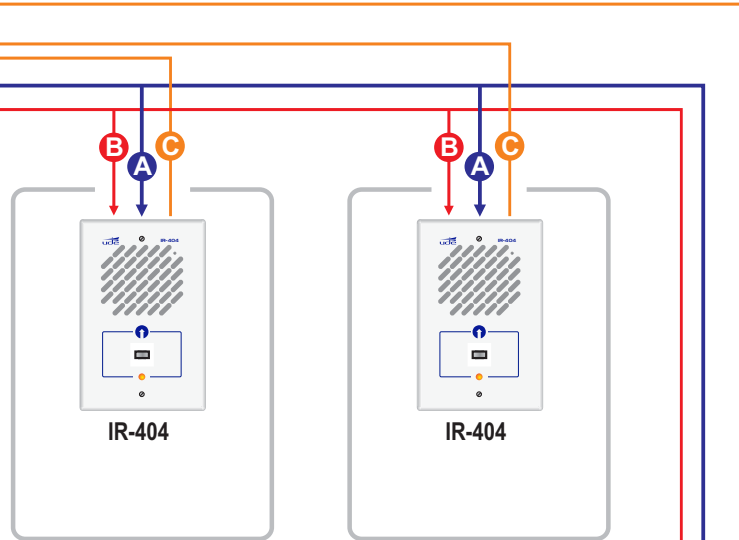


### TYPES OF CABLES

<b>A</b>	<b>INTERPHONE</b> A shielded cable and interlaced with 2x0,34 mm <sup>2</sup> section min. <b>OPTIONAL - GENERAL APPEL:</b> 2 wires 0,50 mm <sup>2</sup> section min.
<b>B</b>	<b>ALIMENTATION</b> 2 wires of 1,50 mm <sup>2</sup> section min.
<b>C</b>	<b>APPEL</b> A wire 0,25 mm <sup>2</sup> section min.

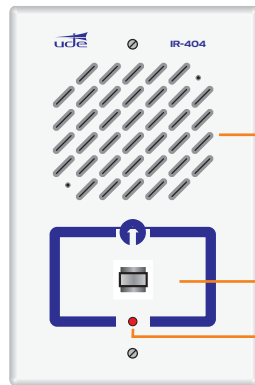
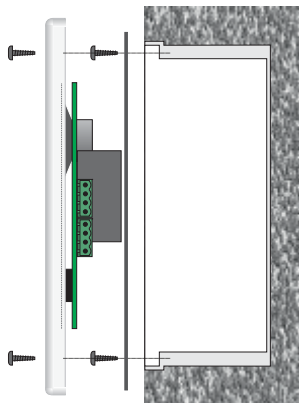


230 VAC  
+ground



### Interphone IR-404

Dimensions:  
123 x 180 x 8 mm.

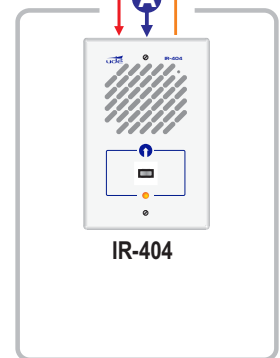


INTERCOMMUNICATION  
MICROPHONE / SPEAKER

CALL  
BUTTON

CALL  
IDENTIFICATION LED

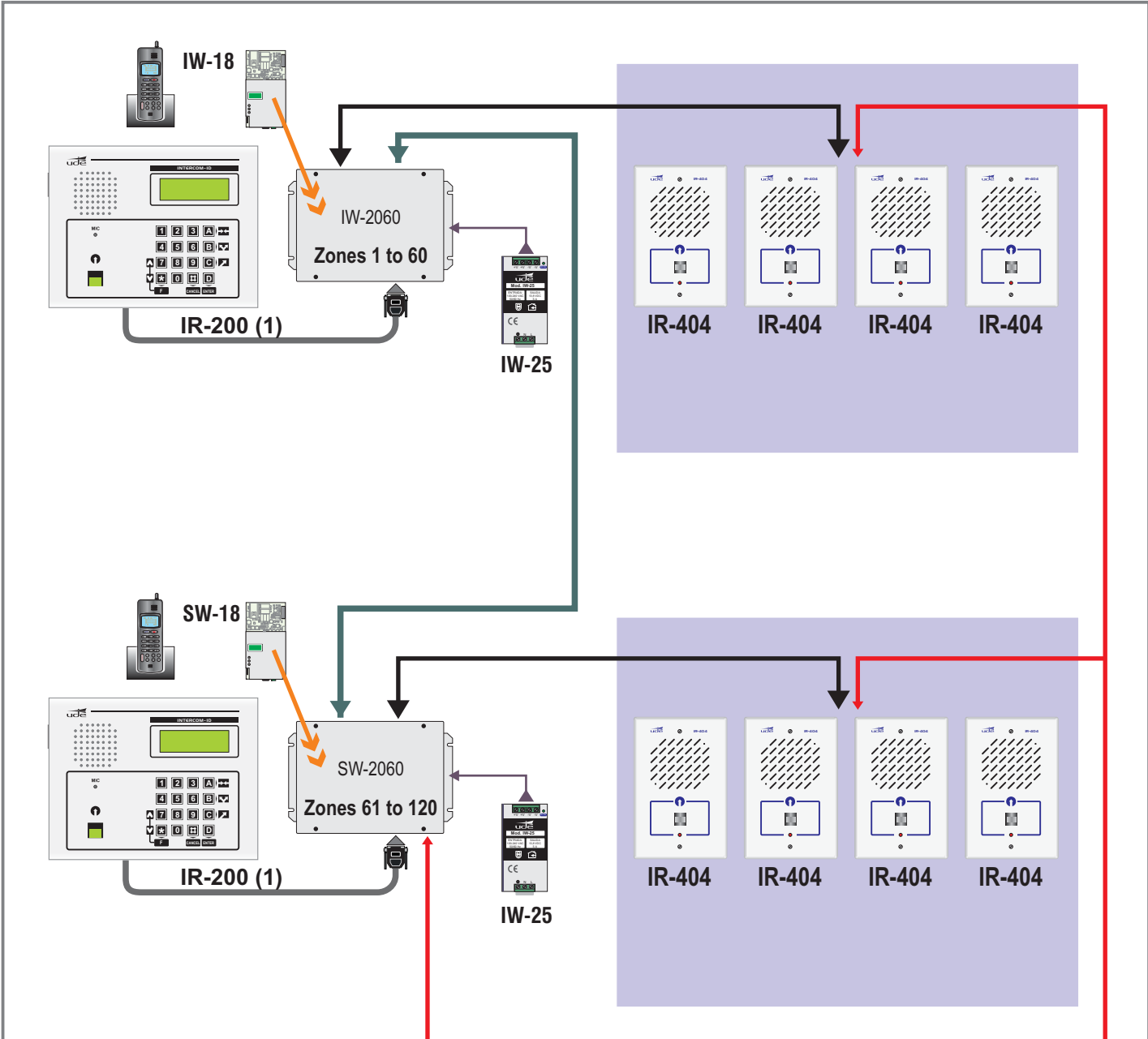
MAXIMUM  
120 INTERPHONES



#### Accessories:

- CW-93. Housing for recessed in solid wall.
- CW-83. Surface mount box.

## SYSTEM OPTIONS - STANDERD CALL TO ALL SECONDARY



**Note (\*)**: It is necessary to connect between audio amplifier and room substation and audio transformer code. 404.072.

OPTIONAL

**404.072**  
TRANSFORMER  
IMPEDANCE  
MATCHING (\*)

AUX INPUT

STANDARD CALLS SECONDARY AMPLIFIER

L100V OUTPUT

The power of the amplifier depend on the number associated with intercom system.