



Main characteristics

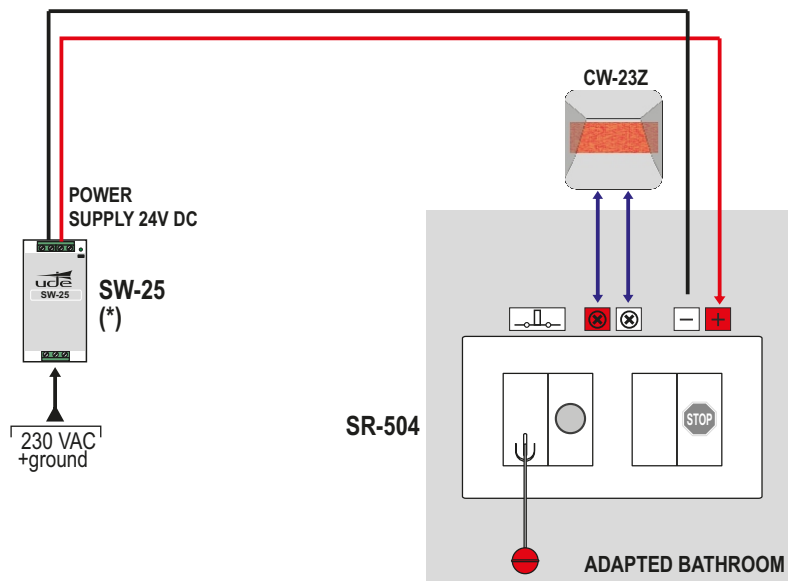
Surface mounting corridor lamp, on wall or on standard mechanism box.

Includes acoustic buzzer configurable ON/OFF via internal jumper.

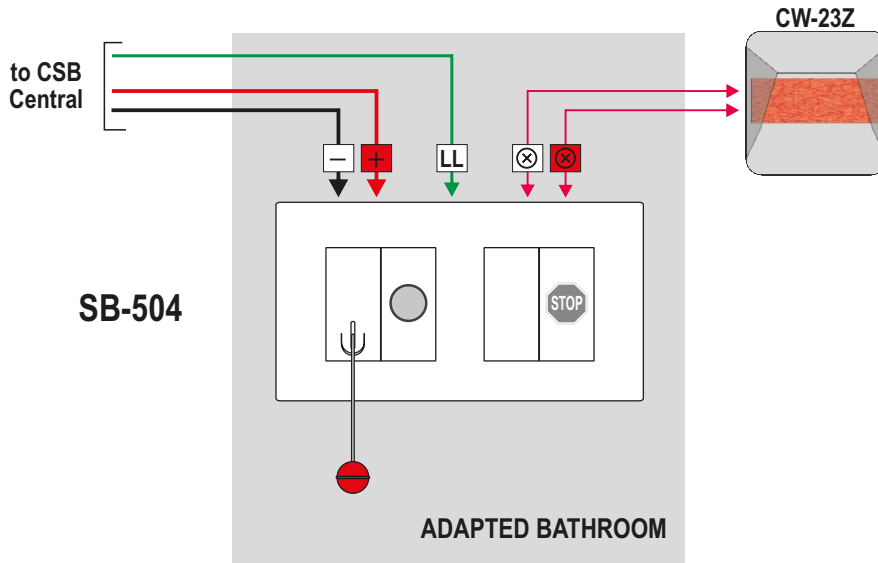
Red light indicator.

24 Vdc power supply with no need to respect polarity.

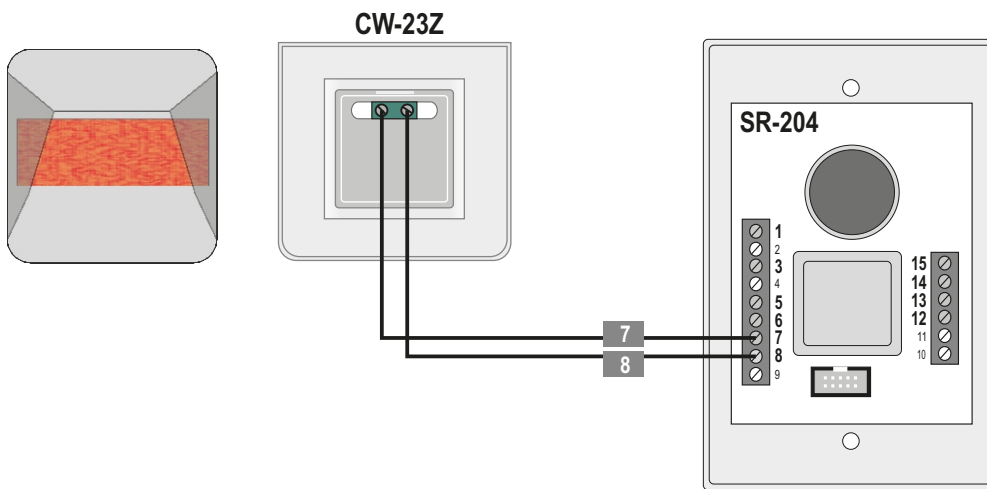
Connection with SR-504



Connection with SB-504



Connection with SR-204



Connection with CW-22

