

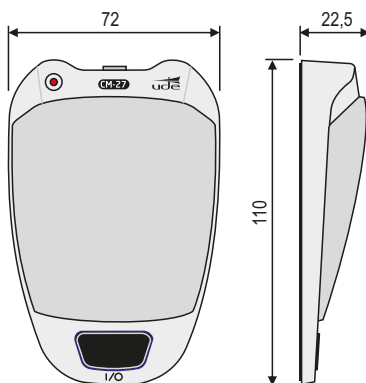
The CM-27, consists of a prepolarised condenser cell **specially designed for speech applications.**

Due to its cardioid polar pattern, **the ambient noise is reduced substantially and the speaker voice is enhanced.** At the same time, the feedback effect (Larsen effect) is also reduced although the best performance will be achieved by using our feedback suppressor WXD-19.

**Its clean line and functional design make this microphone suitable for applications such as:**

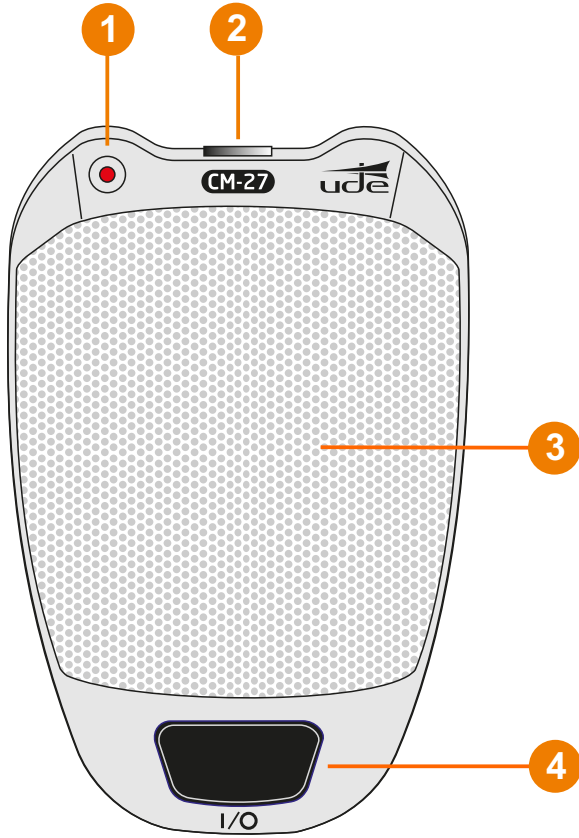
- Houses of worship
- Conference rooms
- Theaters or auditoriums, etc.

The CM-27 microphone includes an internal preamplifier power supplied from our mixers or amplifiers using Phantom supply therefore no batteries are required. The microphone is supplied with an 8 m. signal cable (Mini XLR to XLR).



DIMENSIONS IN MILLIMETERS

- Transducer:	Electret.
- Directionality:	Cardioid (unidirectional)
- Sensitivity (0 dB=1 V/ $\mu$ bar):	-53 dB ( $\pm$ 3dB).
- Frequency response:	30 to 12.000 Hz.
- Output Impedance:	100 ohms.
- Max. SPL at 1% TDH:	125 dB at 1kHz.
- Signal-to-Noise ratio:	67 dB.
- Output signal:	Mini XLR connector
- Signal switch included:	ON / OFF.
- Consumption:	<6 mA.
- Power supply:	Phantom (12 to 52VDC).
- Material:	Metal.
- Color:	White.
- Weight:	88 gr.



- 1 ON/OFF Indicator – Red LED
- 2 Output signal connector – Mini XLR (3C) – male
- 3 Catchment area for speech application ( Figure 1)
- 4 Membrane switch ON / OFF

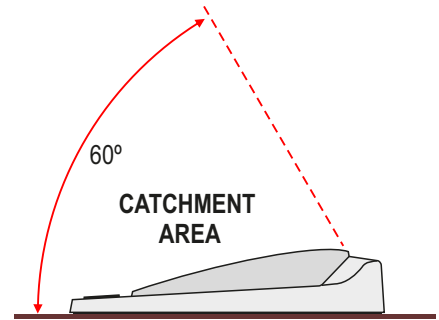


Figure 1

## WIRING EXAMPLE

