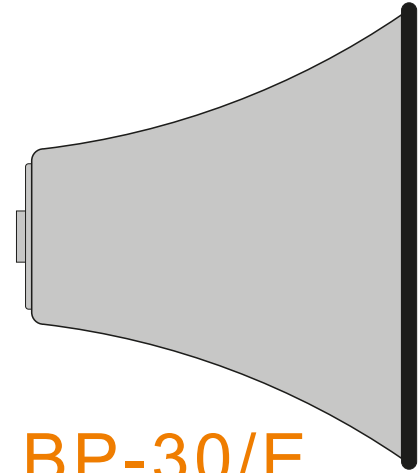


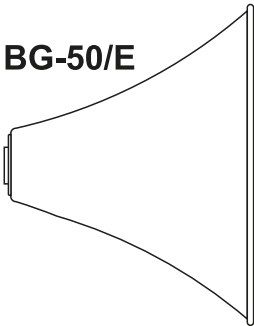
BG-50/E



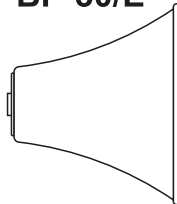
BP-30/E

HORN

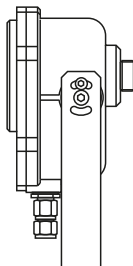
BG-50/E



BP-30/E

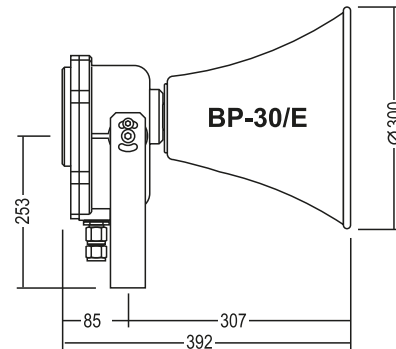
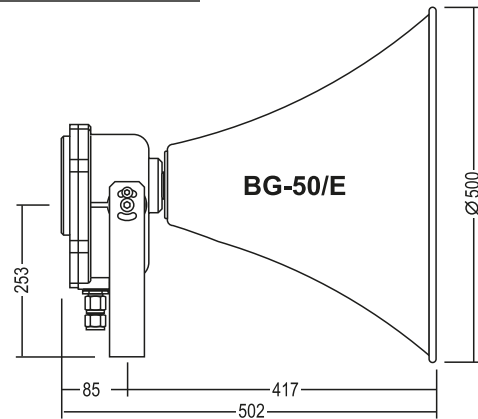


DRIVER UNIT

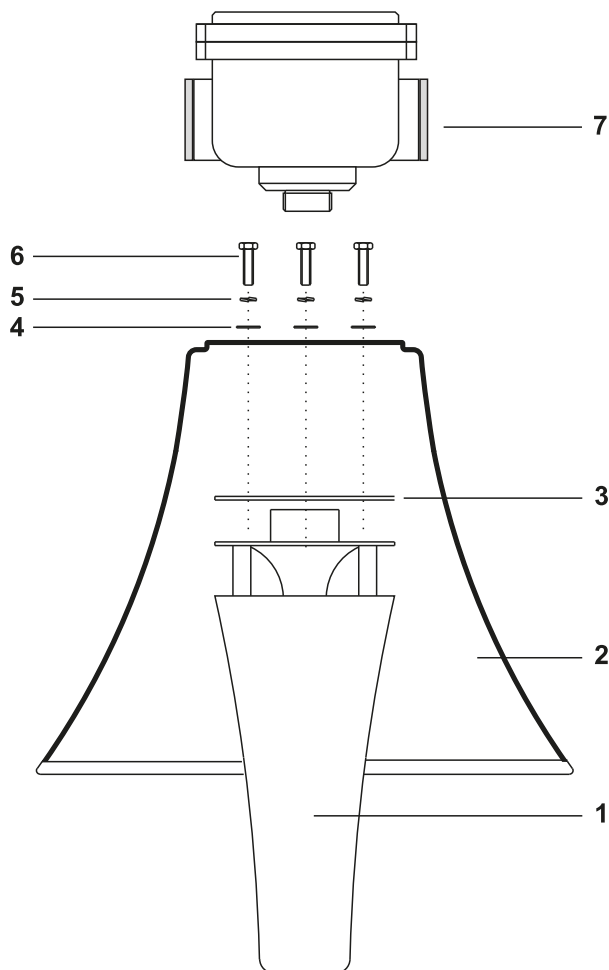
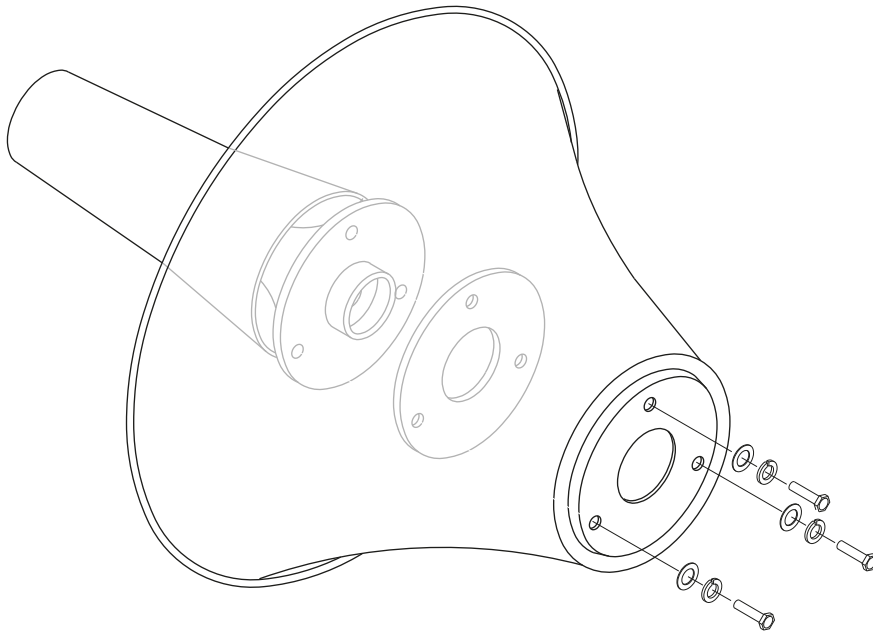


- SA-30**
- SA-30S**
- SM-30**
- SM-30T**

DIMENSIONS



HORN ASSEMBLY



ASSEMBLY OF THE UNIT

Tools required:
- Size 10 spanner.

- 1.- Mount the cone (1) using the gasket (3), the flat washers (4), the grower washer (5) and the screw (6), taking care to line up the UDE anagram properly. Tighten.

Assemble the motor (7).

- 2.-