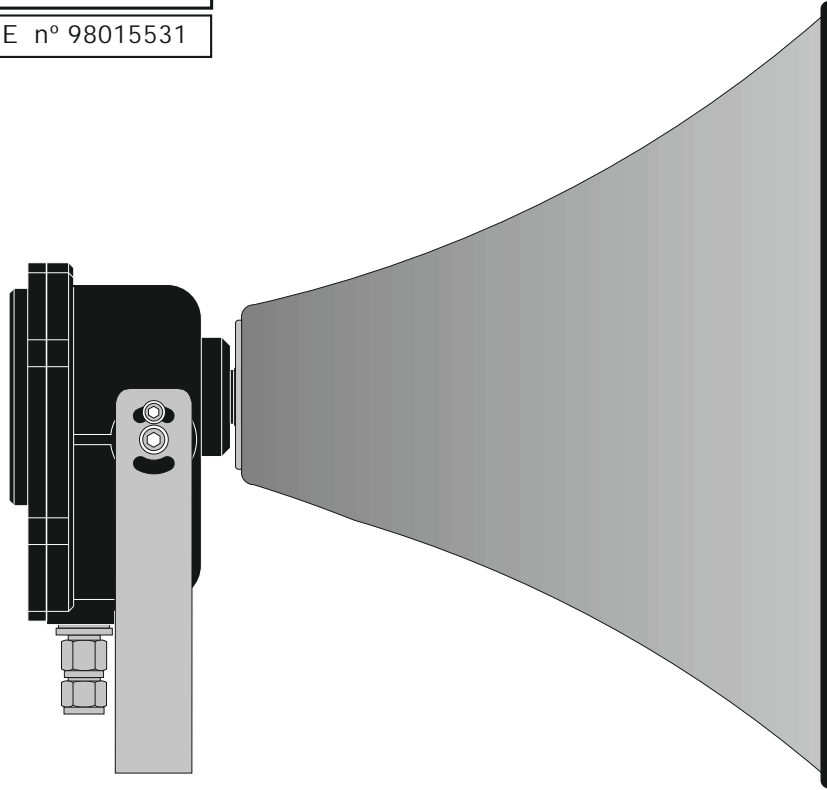


BG-50/SM-30T

Waterproof exponential speaker



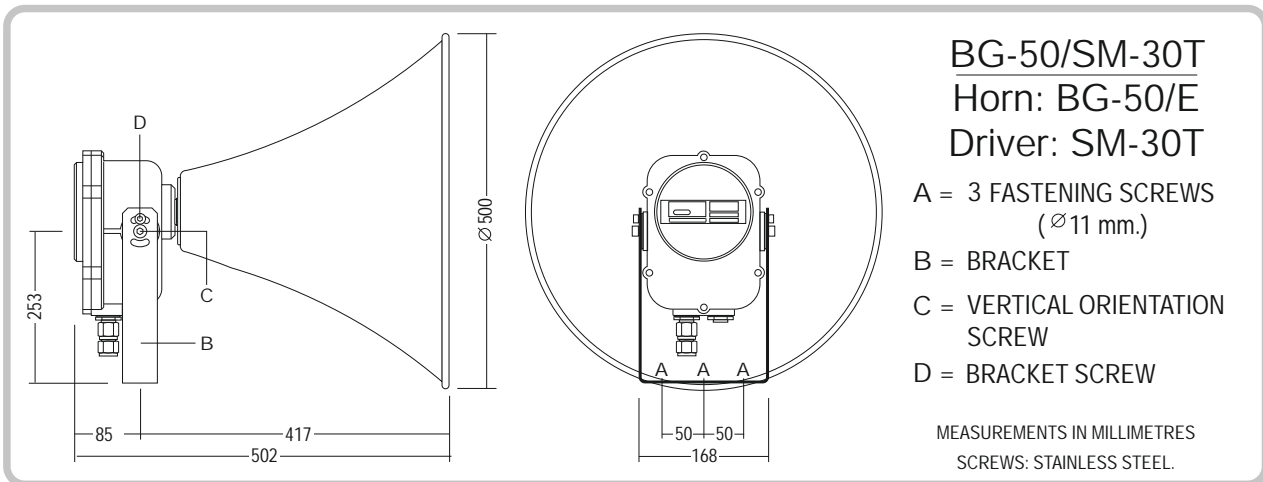
DEGREE OF CASING PROTECTION		
STANDARDS	EN 60529	UNE 20-324
IP CODE	IP-66	
L.G.A.I. CERTIFICATE n° 98015531		



TECHNICAL FEATURES

- Rated power:	30 W.	- Impedance:	16 Ω / 100 V line transformer.
- Sensitivity (*):	107 dB 1 W/1 kHz/1 m.	- Opening angle:	50°.
- Frequency range:	150 to 10000 Hz.	- Weight:	7,1 Kg.

Power selection (100 V line): 30 / 15 / 7.5 / 3 W.



EQUIPOS Y SISTEMAS MEGAFONÍA / INTERCOM • PUBLIC ADDRESS SYSTEMS

UNIÓN DESARROLLOS ELECTRÓNICOS

Tel.: +34 934 772 854 / +34 609 914 787 • ude@udeaudio.com • BARCELONA - SPAIN

www.udeaudio.com

rev.0 | 610.115a | 1 / 2

DESCRIPTION

The BG-50/SM-30T watertight exponential horn speaker consist of a BG-50/T exponential pavilion made of aluminium and an SM-30T 30 W RMS watertight driver.

The driver has an impedance adaptation transformer for 100 V constant voltage audio-frequency lines, which can also be used with a 70.7 V and 50 V line (see power range table), and can also be connected to low-impedance (16Ω 30 W).

The surround casing is made of aluminium alloy and the screws are made of stainless steel.

INSTALLATION

Its steel bracket means it can be placed to face in any direction, and can also be fixed permanently using two screws which are provided for this purpose.

The cable is run in through a 3/4" thread NPT cable gland. If necessary, several speakers can be connected in parallel by removing a threaded obturating plug, and fitting a second stuffing box in its place, thereby simplifying installation.

APPLICATIONS

For indoor and outdoor public address installations, as well as in industrial and marine environments.

Certificate: L.G.A.I. n° 98015531

Valid for all EEC countries, and others.

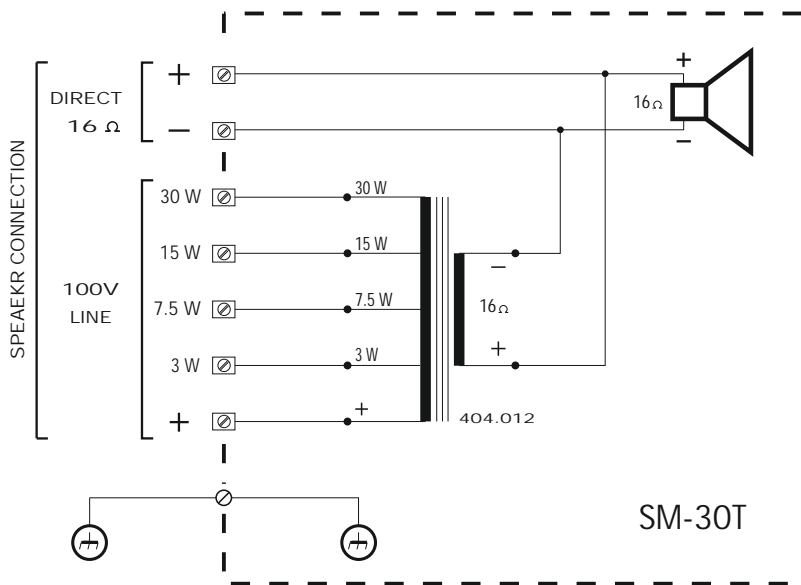


TABLE OF POWER RANGES (W)				
100 V. L.	30	15	7.5	3
70.7 V. L.	15	7.5	3	1.5
50 V. L.	7.5	3	1.5	-

TYPICAL INSTALLATION

