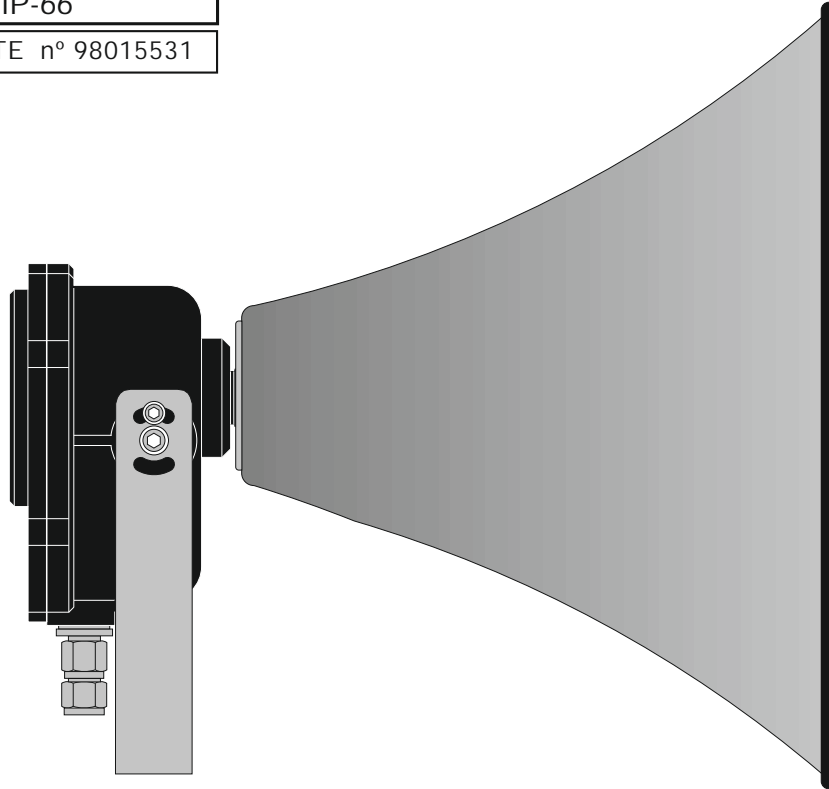


BG-50/SM-30

Waterproof exponential horn speaker

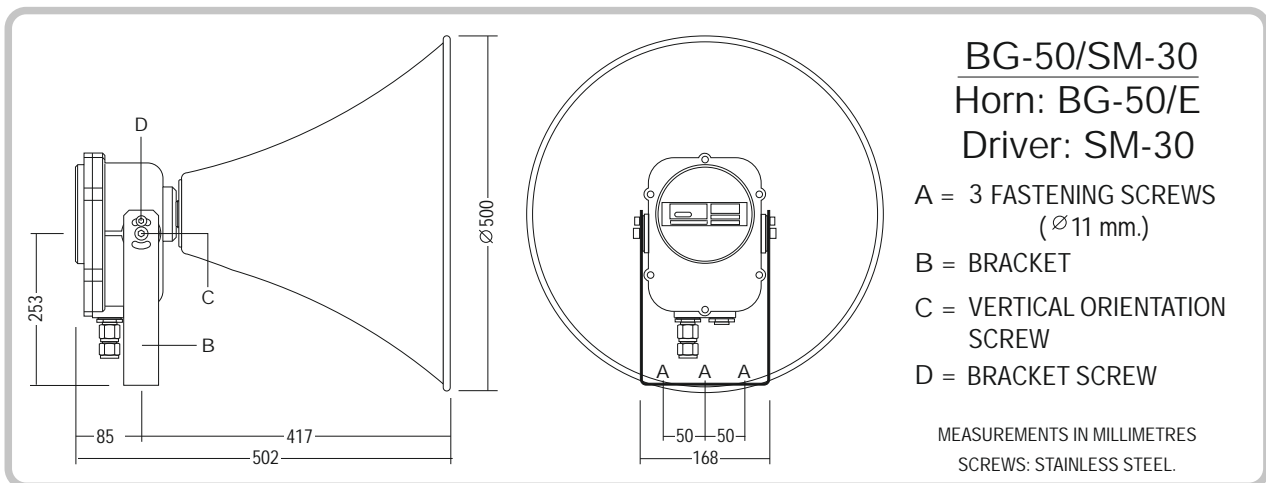


| DEGREE OF CASING PROTECTION | | |
|----------------------------------|----------|------------|
| STANDARDS | EN 60529 | UNE 20-324 |
| IP CODE | IP-66 | |
| L.G.A.I. CERTIFICATE n° 98015531 | | |



TECHNICAL FEATURES

| | | | |
|--------------------|-----------------------|------------------|---------------|
| - Rated power: | 35 W. | - Impedance: | 16 Ω . |
| - Sensitivity (*): | 107 dB 1 W/1 kHz/1 m. | - Opening angle: | 50°. |
| - Frequency range: | 150 to 10000 Hz. | - Weight: | 6,5 Kg. |



EQUIPOS Y SISTEMAS MEGAFONÍA / INTERCOM • PUBLIC ADDRESS SYSTEMS

UNIÓN DESARROLLOS ELECTRÓNICOS

Tel.: +34 934 772 854 / +34 609 914 787 • ude@udeaudio.com • BARCELONA - SPAIN

www.udeaudio.com

rev.0 | 610.112a | 1 / 2

DESCRIPTION

The BG-50/SM-30 watertight horn speaker consists of BG-50/T exponential pavilion made of aluminium and an SM-30 35 W RMS watertight driver.

The SM-30 driver has an impedance of 16Ω .

The surround casing is made of aluminium alloy and the screws are made of stainless steel.

INSTALLATION

Its steel bracket means it can be placed to face in any direction, and can also be fixed permanently using two screws which are provided for this purpose.

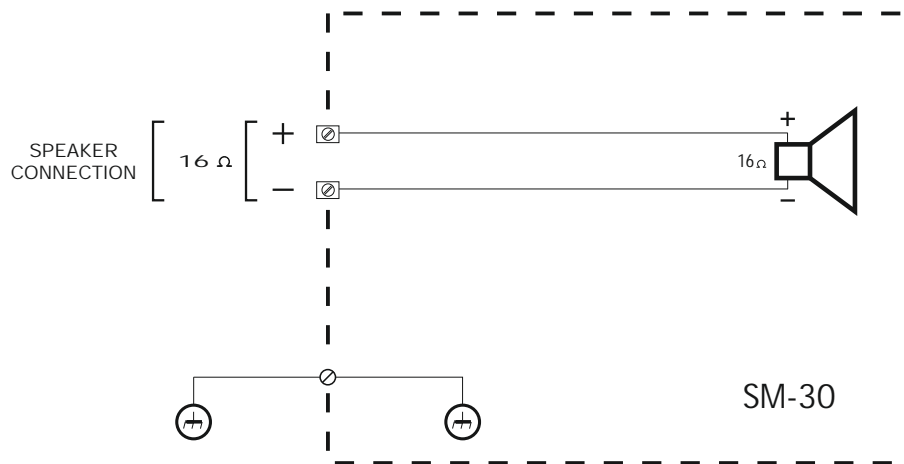
The cable is run in through a 3/4" thread NPT cable gland. If necessary, several speakers can be connected in parallel by removing a threaded obturating plug, and fitting a second stuffing box in its place, thereby simplifying installation.

APPLICATIONS

For indoor and outdoor public address installations, as well as in industrial and marine environments.

Certificate: L.G.A.I. n°98015531

Valid for all EEC countries, and others.



TYPICAL INSTALLATION

