

BG-50/SA-30

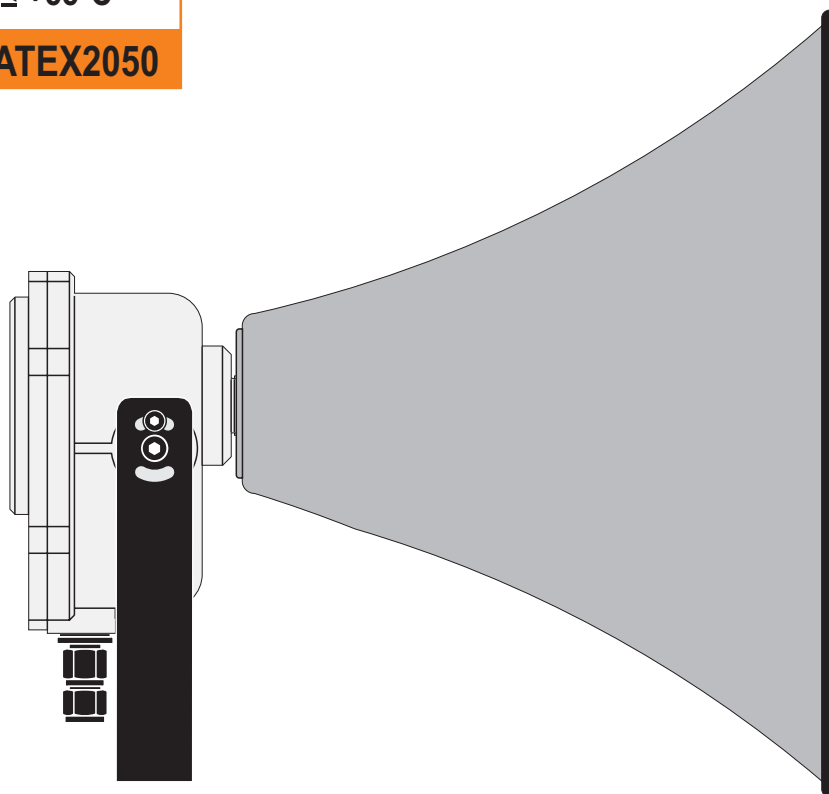


EXPLOSION-PROOF HORN SPEAKER



II 2GD
Ex d IIB T3 Gb
Ex t IIIC T85 °C Db
-20 °C ≤ Ta ≤ +55°C

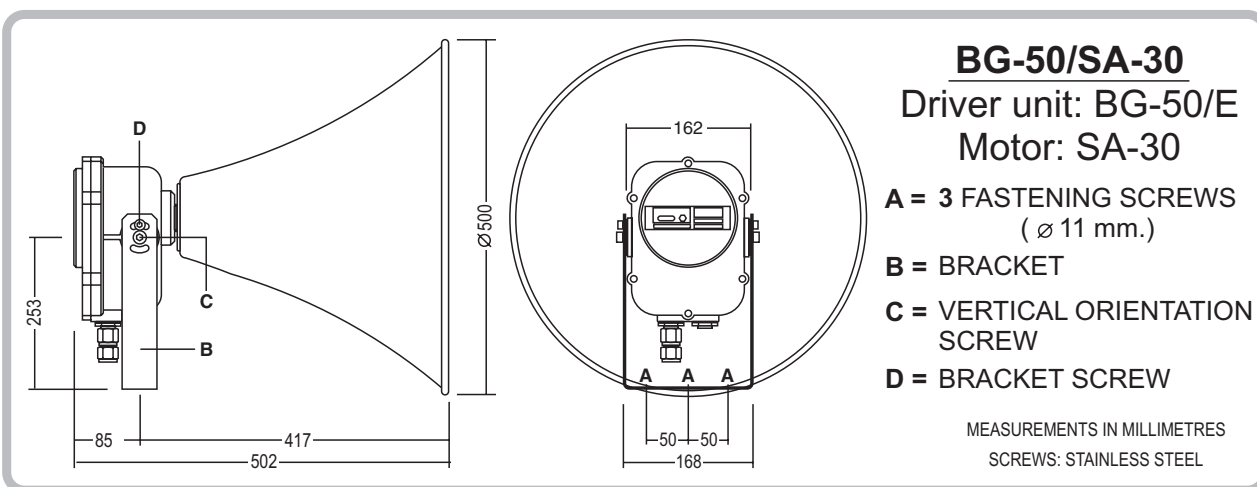
Certificate: LOM 10ATEX2050



TECHNICAL CHARACTERISTICS

- Rated power:	30 W.	- Impedance:	16 Ω / 100 V. line transformer.
- Sensitivity:	107 dB 1 W/1 kHz/1 m.	- Opening angle:	50°.
- Frequency range:	150 to 10000 Hz.	- Weight:	7.1 k.

Power selection (100 V. line): 30 / 15 / 7.5 / 3 W.



EQUIPOS Y SISTEMAS MEGAFONÍA / INTERCOM • PUBLIC ADDRESS SYSTEMS

UNIÓN DESARROLLOS ELECTRÓNICOS

Tel.: +34 934 772 854 / +34 609 914 787 • ude@udeaudio.com • BARCELONA - SPAIN



www.udeaudio.com

rev.0 610.069A 1 / 2

DESCRIPTION

The BG-50/SA-30 explosion-proof exponential speaker consists of a BG-50/E exponential pavilion made of aluminium and an SA-30 30 W RMS explosion-proof driver.

The driver has an impedance adaptation transformer for 100 V constant voltage audio-frequency lines, which can also be used with a 70.7 V and 50 V line (see power range table), and can also be connected to low-impedance (16Ω 30 W).

The surround casing is made of aluminium alloy and the screws are made of stainless steel.

INSTALLATION

Its steel bracket means it can be placed to face in any direction, and can also be fixed permanently using two screws which are provided for this purpose.

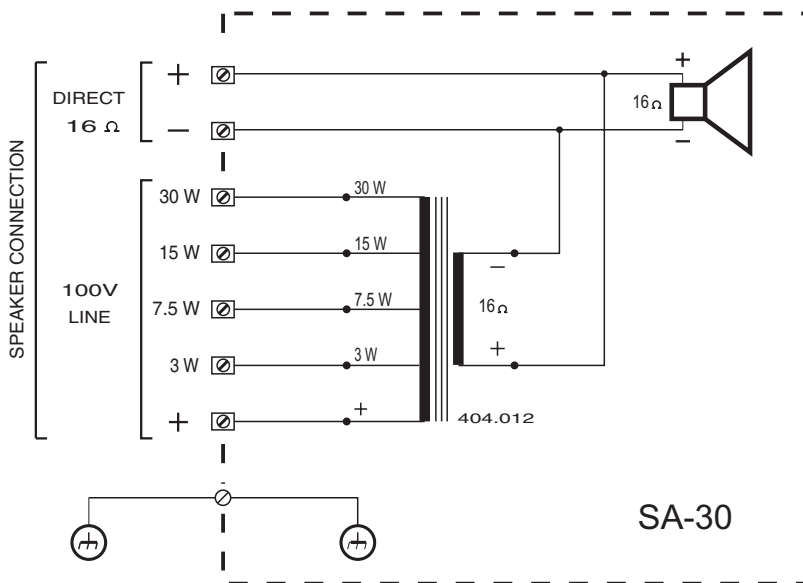
The cable is run in through a 3/4" thread NPT cable gland. If necessary, several speakers can be connected in parallel by removing a threaded obturating plug, and fitting a second stuffing box in its place, thereby simplifying installation.

APPLICATIONS

For indoor and outdoor public address installations, as well as in areas where there is a risk of explosion.

Certificate: LOM 10ATEX2050

Valid for all EEC countries, and others.



	30	15	7.5	3
100 V. L.	30	15	7.5	3
70.7 V. L.	15	7.5	3	1.5
50 V. L.	7.5	3	1.5	-

TYPICAL INSTALLATION

