

# ATV-1

Stereo Audio Converter

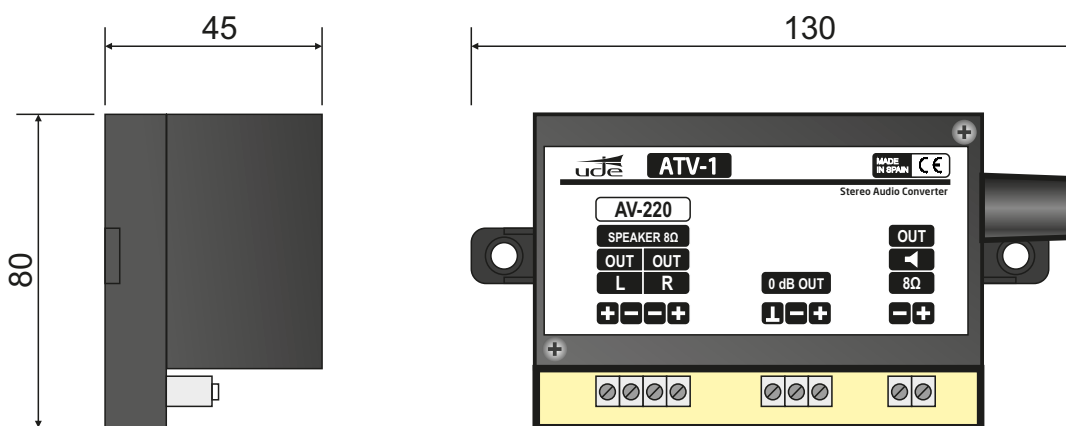


## Description

The ATV-1 allows the **AV-220 self-amplified music system** to be connected through the speaker output to obtain symmetrical (balanced) 0 dB audio output to connect an amplifier or power amplifier.

It also has an adjustable output by potentiometer for an 8 Ω monitor speaker.

## Dimensions



DIMENSIONS IN MILLIMETERS



EQUIPOS Y SISTEMAS MEGAFONÍA/INTERCOM • PUBLIC ADDRESS SYSTEMS

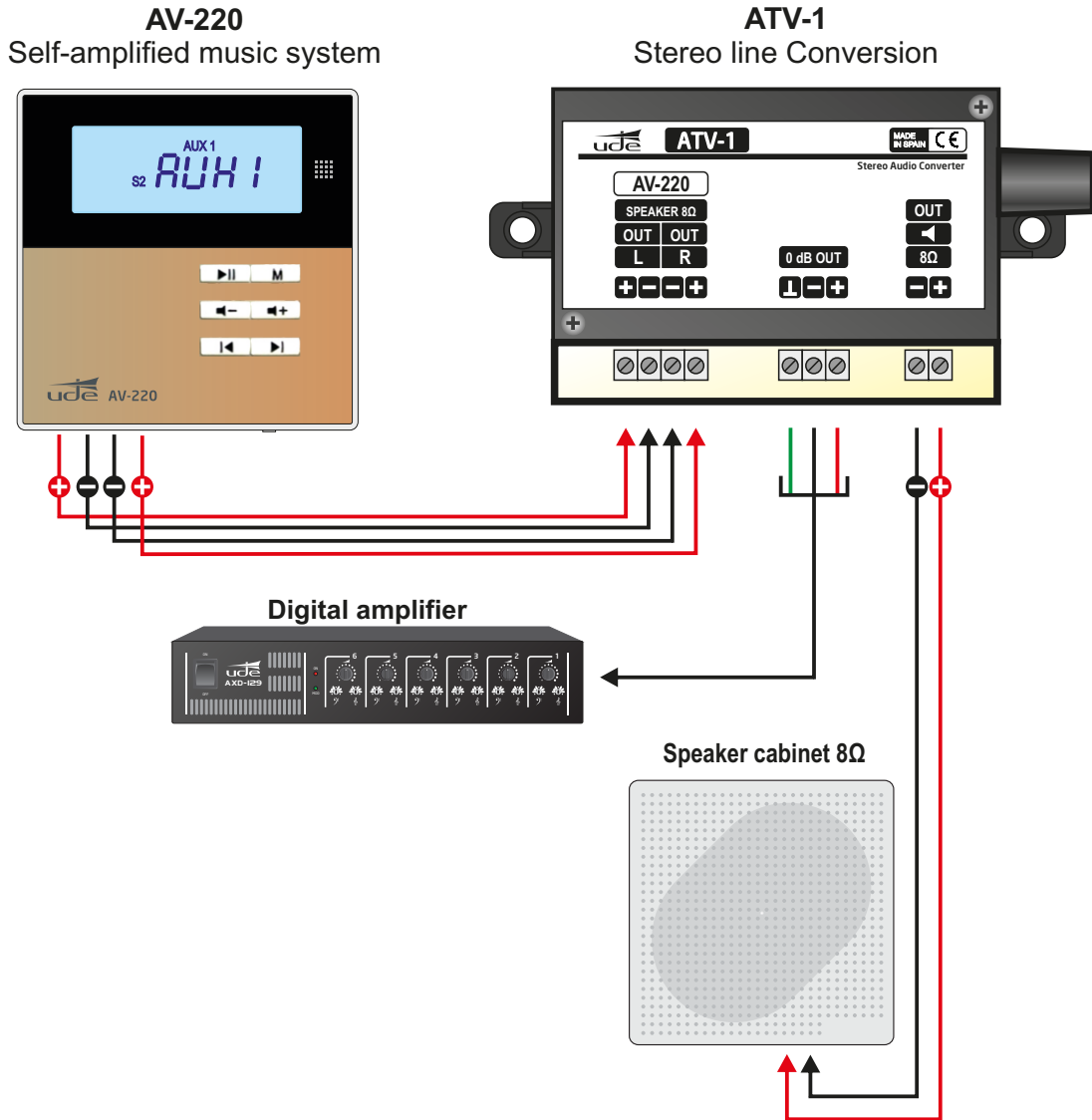
**UNIÓN DESARROLLOS ELECTRÓNICOS**

Tel.: +34 934 772 854 / +34 609 914 787 • ude@udeaudio.com • BARCELONA - SPAIN

[www.udeaudio.com](http://www.udeaudio.com)

rev.1 | 610.564A | 1 / 2

Connection diagram



The ATV-1 can be connected to the input of the amplifier in 3 different ways

