

Description

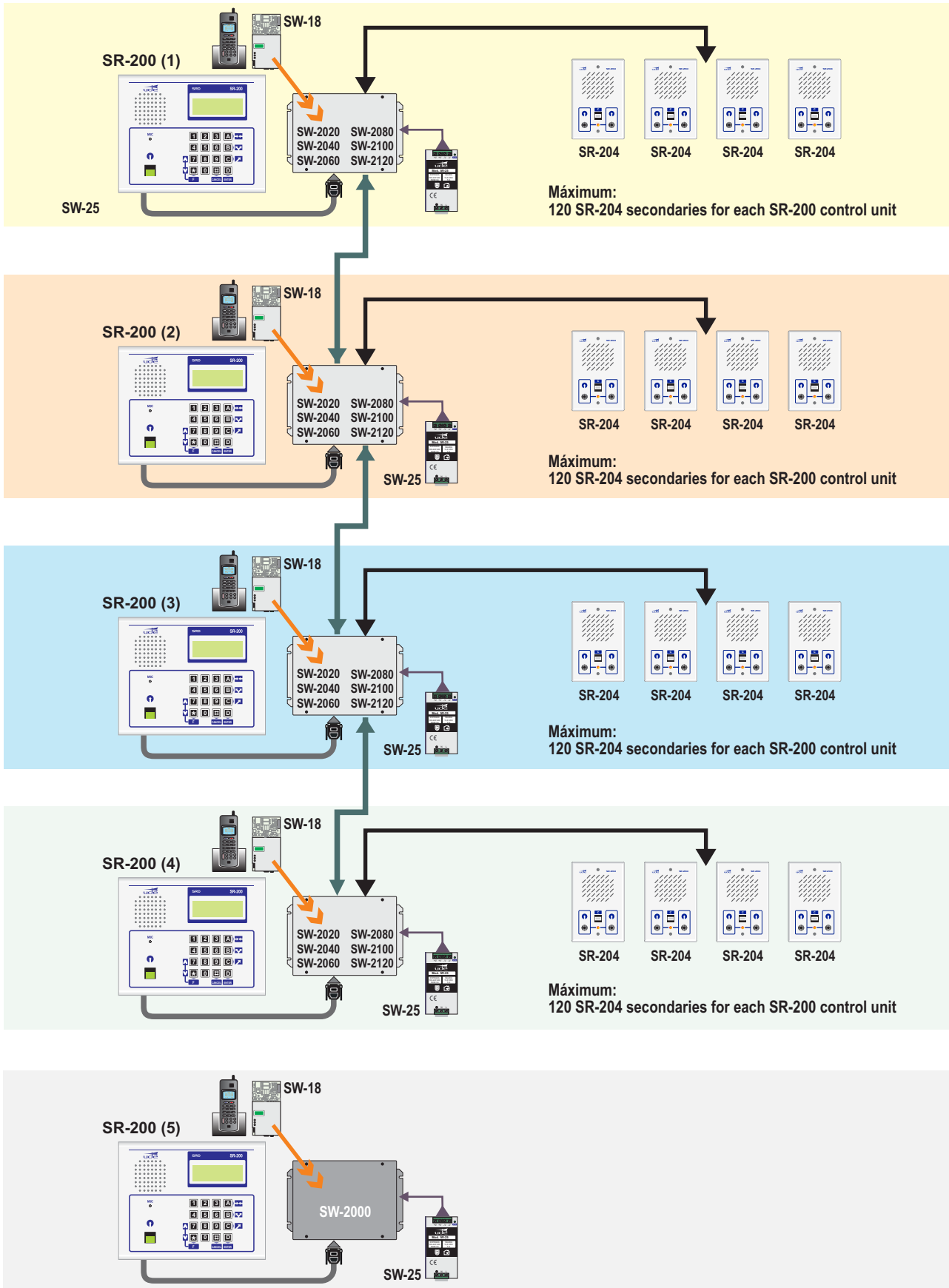
SRD ASSISTANCE System allows visual and acoustic signaling of calls made from different rooms and areas, and establish two-way intercom talking between each secondary station.

System functions

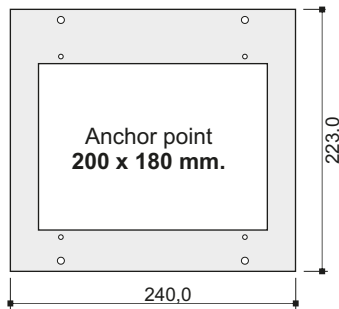
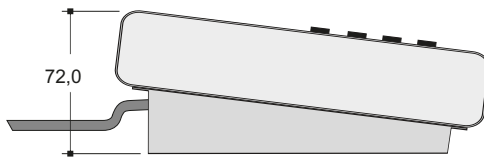
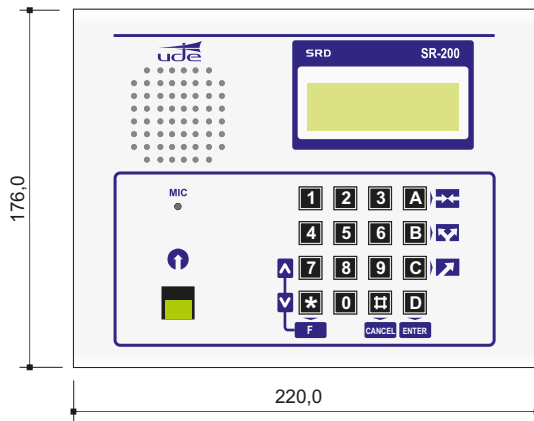
- **Standard call**, with appeal brief. **Corridor signaling** by the red illumination.
- **Visual and acoustic signaling in the standard call** central control.
- **Cancellation of standard call from the SR-204 room's secondary by "C" button (cancel).**
- **Cancellation from the standard call center.**
- **Cancellation standard calls from bathroom.**
- **Transfer the management of calls between control centrals.**
- **Transfer calls management to a DECT telephone or to a switchboard, by SW-18 module (optional).**
- **Public address call** from an SR-200, needs extra equipment like and audio amplifier and audio transformer (404.072) (optional).
- **Broadcast a music program in the rooms by external modules (optional).**

System structure

Maximum: 5 SR-200 exchanges and 300 SR-204 secondaries



Central SR-200



IW-500 Optional Accessory
Flush mounted

Control central point SR-200 office format, with:

- Selection of lines and functions keyboard.
- Alphanumeric LCD display backlit 4 x 20 characters.
- Built-in electret microphone.
- Speaker of receipt.
- Setting the reception level and the acoustic tone of appeal level.
- Visual and acoustic signalling calls.
- Visual indication of the selected area.
- Alphanumeric keyboard.
- Its main function is call signalling and management made in different rooms and intercommunication with them as well.
- Supplied with Transfer Module.

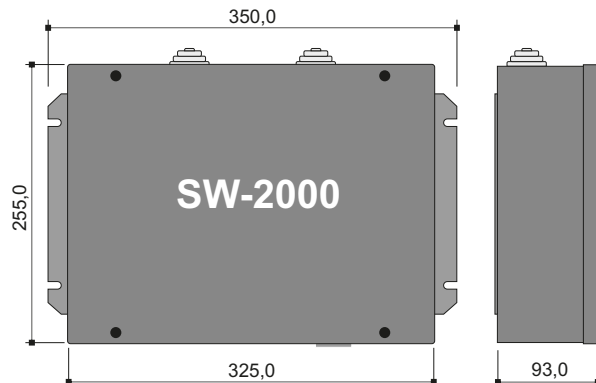
By the UDECONF- SR200 software you can configure in the SR-200 central the following parameters:

- Name and ID number of the SR-500 desk.
- Name of each zone.
- Extension number of each zone.
- Zones assigned to each desk.
- Floor/Group situation zone. Name of each zone to give the message by telephone interface.

Transfer module

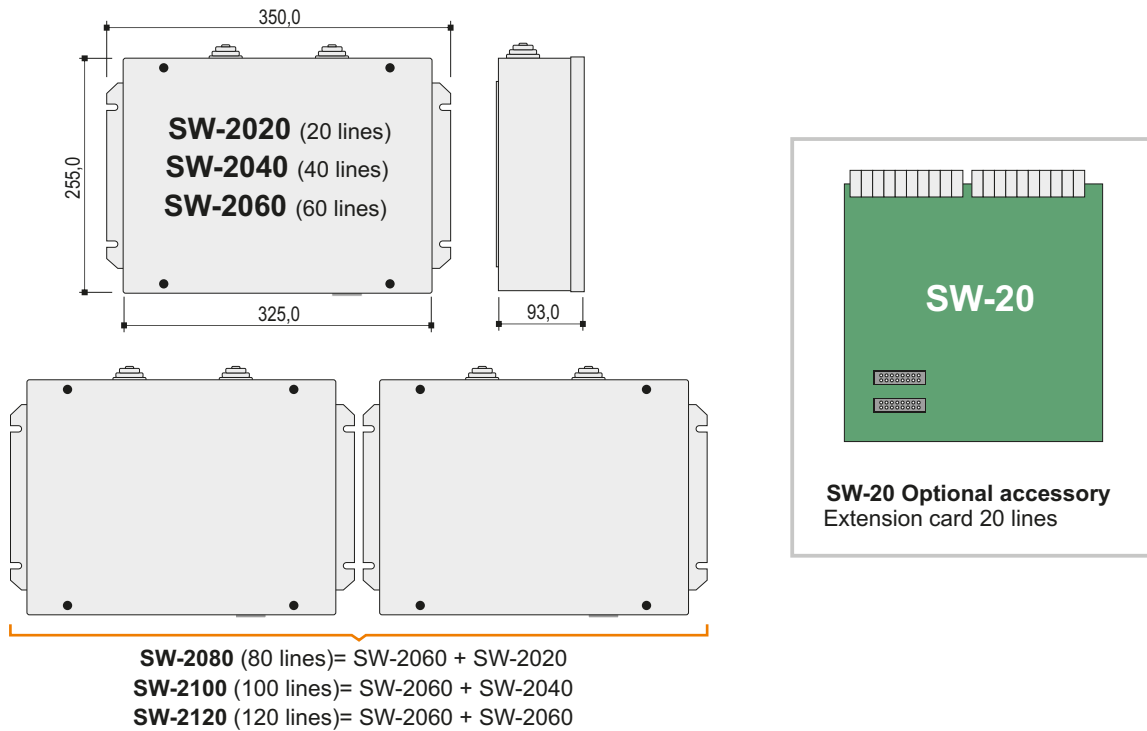
Allows the connection with a second SR-200central. It is therefore possible to divert all calls to its management system in this central.

Note. This module does not allow the connection of secondary and still requires a SW-25power source.



Management, transfer and connection module

Allow connection with intercom and an ID-200 central.



The SR-200 control panel is delivered configured to work with 20 zones.

If you purchased the SR-200 control panel to operate with a SW-2020 module, you do not need to configure any parameters unless you want to customise the name of the rooms, number of rooms, number of desks, etc..., using the UDECOM-SR-200 software, which is available on our website www.udeaudio.com.

If you purchased the SR-200 Central Unit to operate with a SW-2XXX module, where XXX is a number greater than 20, by means of the UDECOM-SR-200 software, you must configure the number of rooms that the system has, that is, the number xxx.

If you expand an existing system with the SW-20 expansion cards, you will have to configure the number of rooms that the system has, once expanded, using the UDECOM-SR-200 software.

SW-25 Power supply

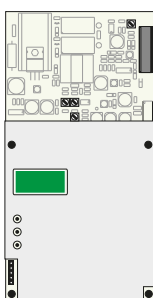


Exchanged power source of 24 Vdc high-performances. DIN rail mounting. By the number of secondary, may need more than one source.

LOAD CAPACITY	
MAIN SOURCE	
SR-200	1
SW-18	1
SR-204	60

LOAD CAPACITY	
EXTRA SOURCE	
SR-204	80

SW-18 Telephone interface

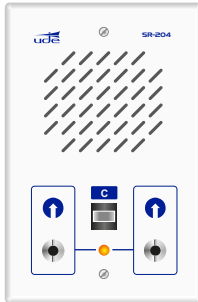


It allows you to forward calls to a two threads phone (type DEC) or a PBX to manage incoming calls in the ID-200 central diverted to the phone.

Each ID-200 central can support one IW-18 module.

Room modules

SR-204 Room secondary



With:
Microphone / Speaker intercommunication with SR-200 central.
Driver plenum.
Call cancel button.

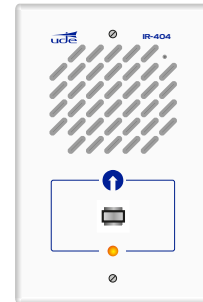
Accessories:
CW-93. Housing for recessed in solid wall.
CW-83. Surface Mount Box.

CW-10 Call button (pear type)



With:
Jack 6.35 mm connector.
Wire length: 1.70 meters.

IR-404 Interphone



With:
Microphone / Speaker intercommunication with SR-200 central.
Driver plenum.
Call cancel button.

Accessories:
CW-93. Housing for recessed in solid wall.
CW-83. Surface Mount Box.

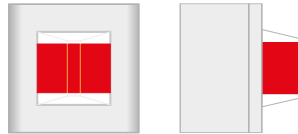
CW-23 Overdoor viewer Flush mounting



With:
Pilot call sign.
Color: red

Accessories:
CW-95. Housing for recessed in solid wall.

CW-24 Overdoor viewer Surface mounting



With:
Pilot call sign.
Color: Red

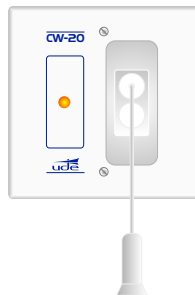
CW-19 Auxiliary call module



With:
Connector for 1 CW-10 call button. Driver plenum.
It is used when in a room it will take more than 2 CW-10 buttons, or a SR-204 secondary is far from the beds.

Accessories:
CW-92. Housing for recessed in solid wall
CW-82. Surface Mount Box

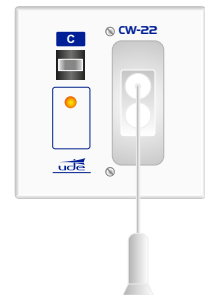
CW-20 Bath call module



With:
Call button with 1.4 m length draw cord.
Driver plenum.

Accessories:
CW-91. Housing for recessed in solid wall
CW-81. Surface Mount Box

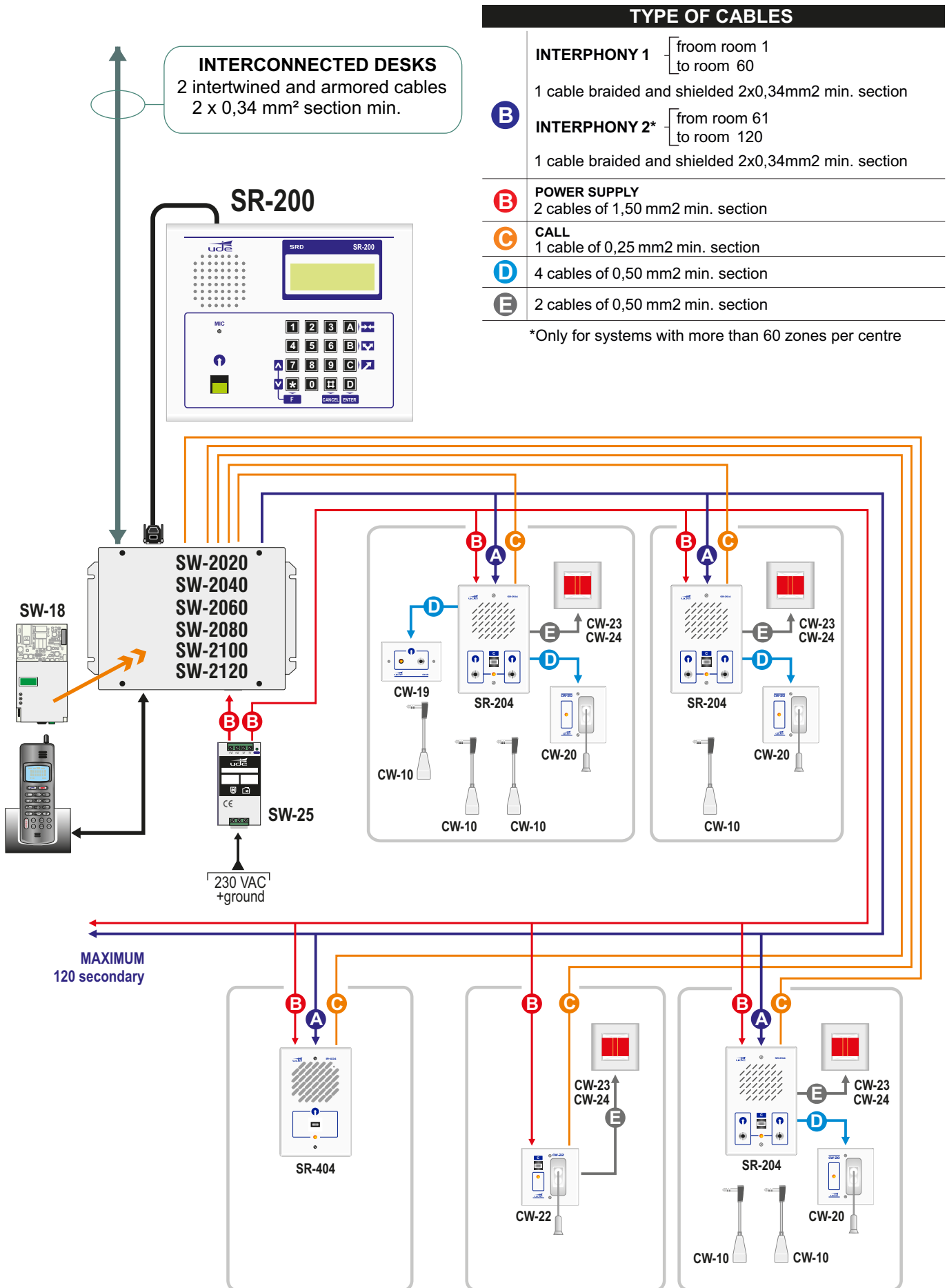
CW-22 Bath call room Independent bathroom



With:
Call button with 1.4 m length draw cord.
Driver plenum.
Call cancel button.

Accessories:
CW-91. Housing for recessed in solid wall
CW-81. Surface Mount Box

Typical pattern installation



System options - General call to all secondaries

