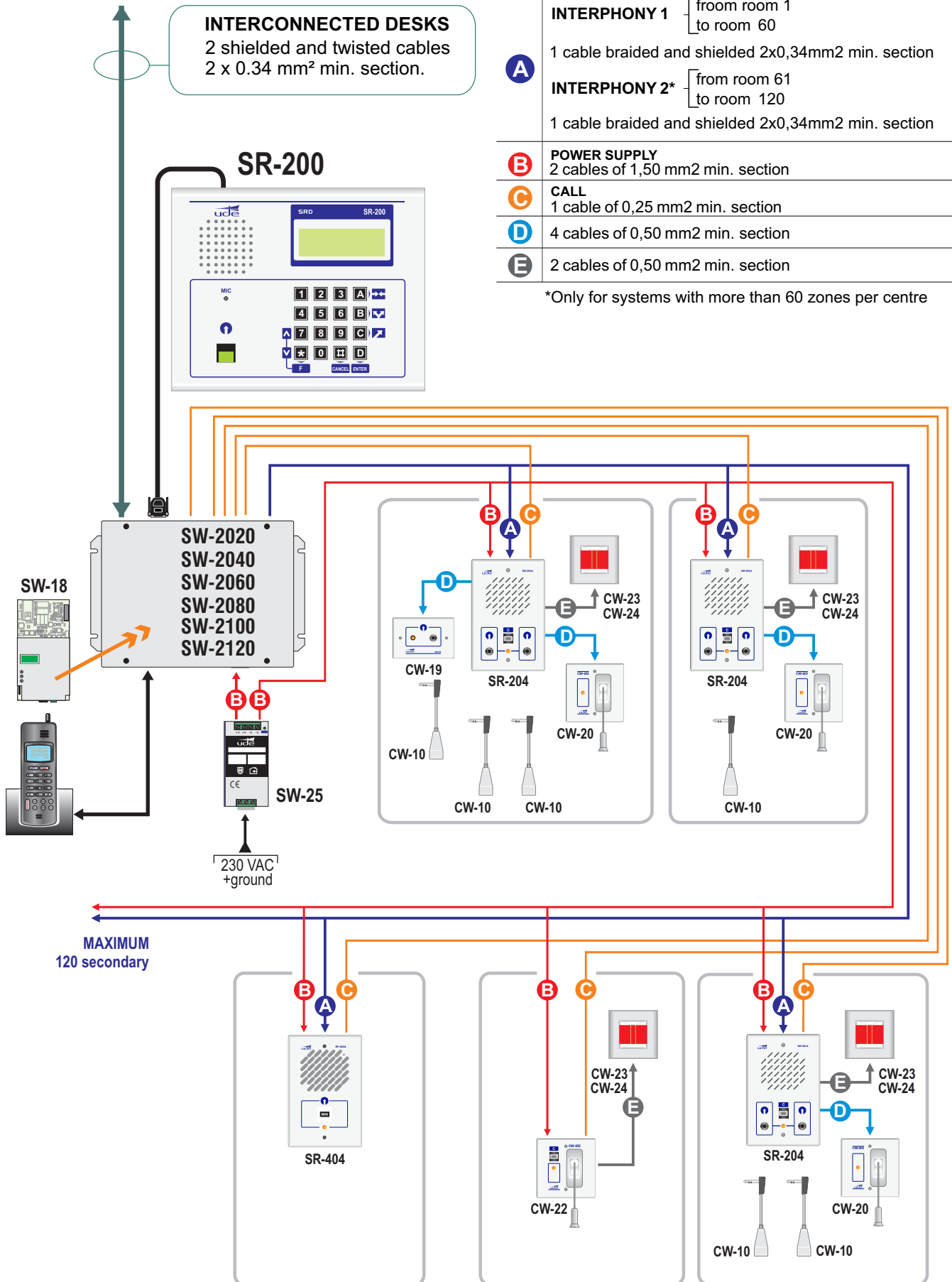
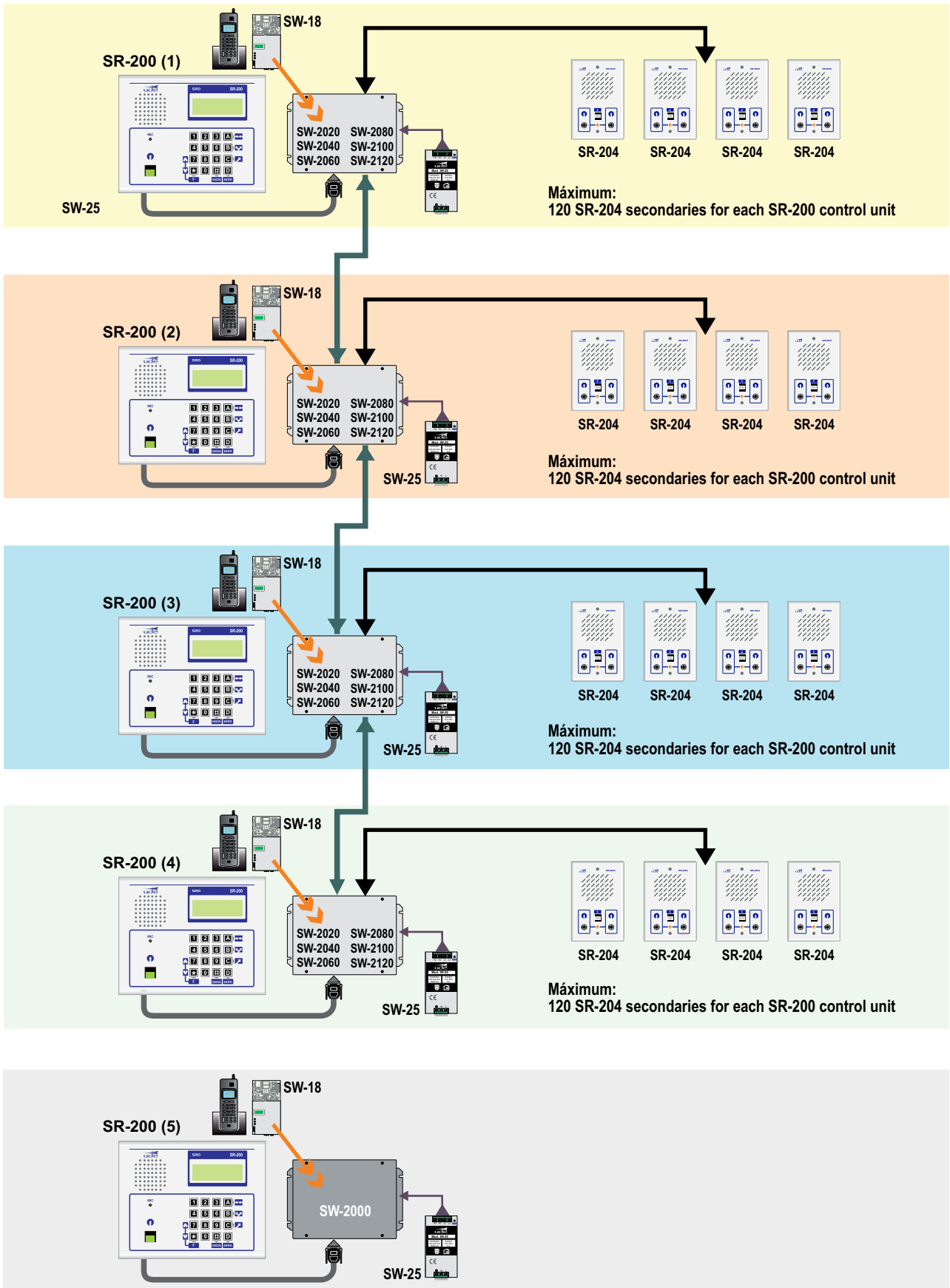


### Typical pattern installation



System structure

Maximum: 5 SR-200 exchanges and 300 SR-204 secondaries

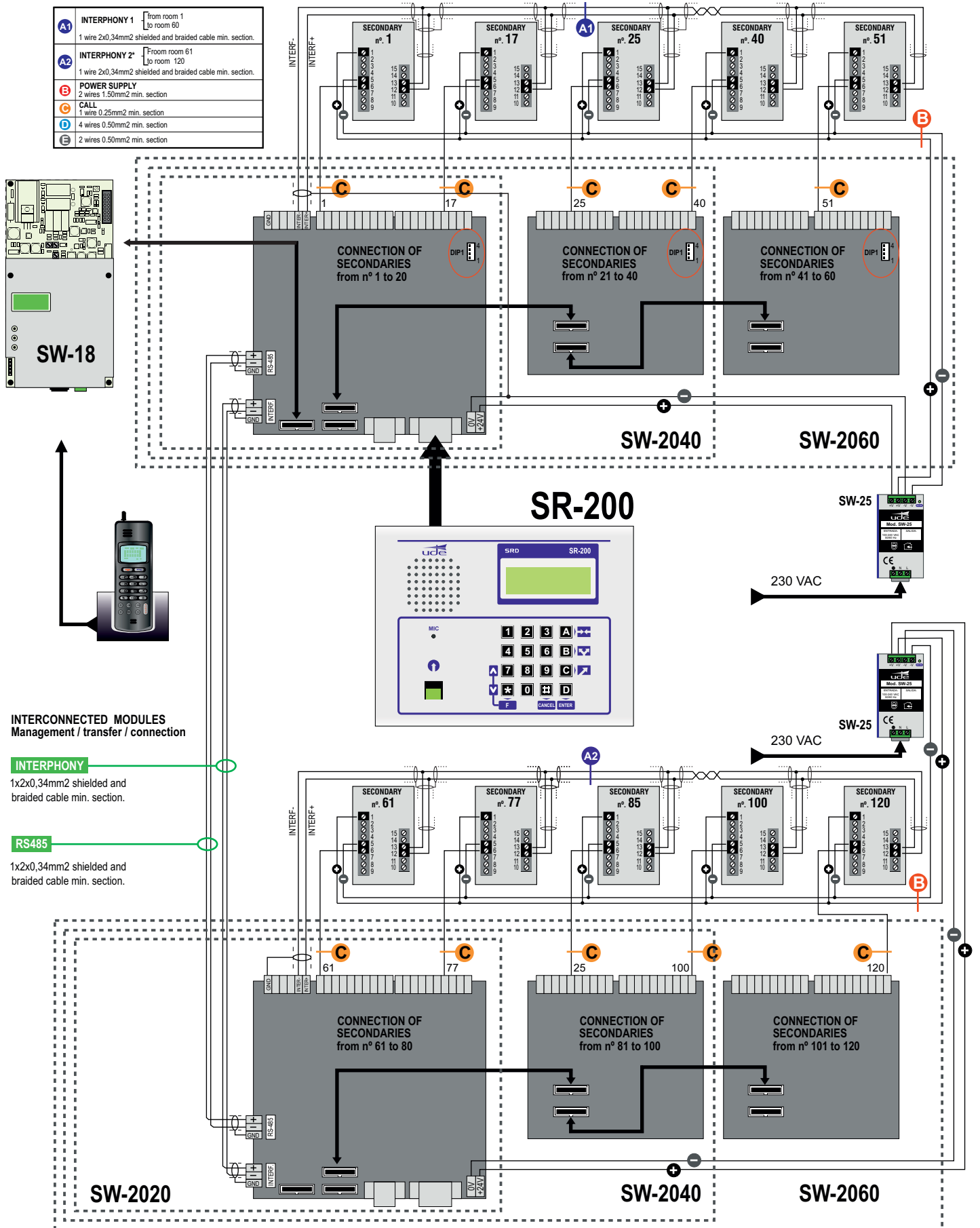


### Example of connection with 120 secondaries

Example connection  
120 secondary

- 1 Control Unit SR-200 with Telephone Interface Module SW-18
- 1 Management, Transfer and Connection Module SW-2120 (SW-2060 + SW-2060)

<b>A1</b>	<b>INTERPHONY 1</b>	From room 1 to room 60
		1 wire 2x0,34mm <sup>2</sup> shielded and braided cable min. section.
<b>A2</b>	<b>INTERPHONY 2*</b>	From room 61 to room 120
		1 wire 2x0,34mm <sup>2</sup> shielded and braided cable min. section.
<b>B</b>	<b>POWER SUPPLY</b>	2 wires 1.50mm <sup>2</sup> min. section
<b>C</b>	<b>CALL</b>	1 wire 0.25mm <sup>2</sup> min. section
<b>D</b>		4 wires 0.50mm <sup>2</sup> min. section
<b>E</b>		2 wires 0.50mm <sup>2</sup> min. section

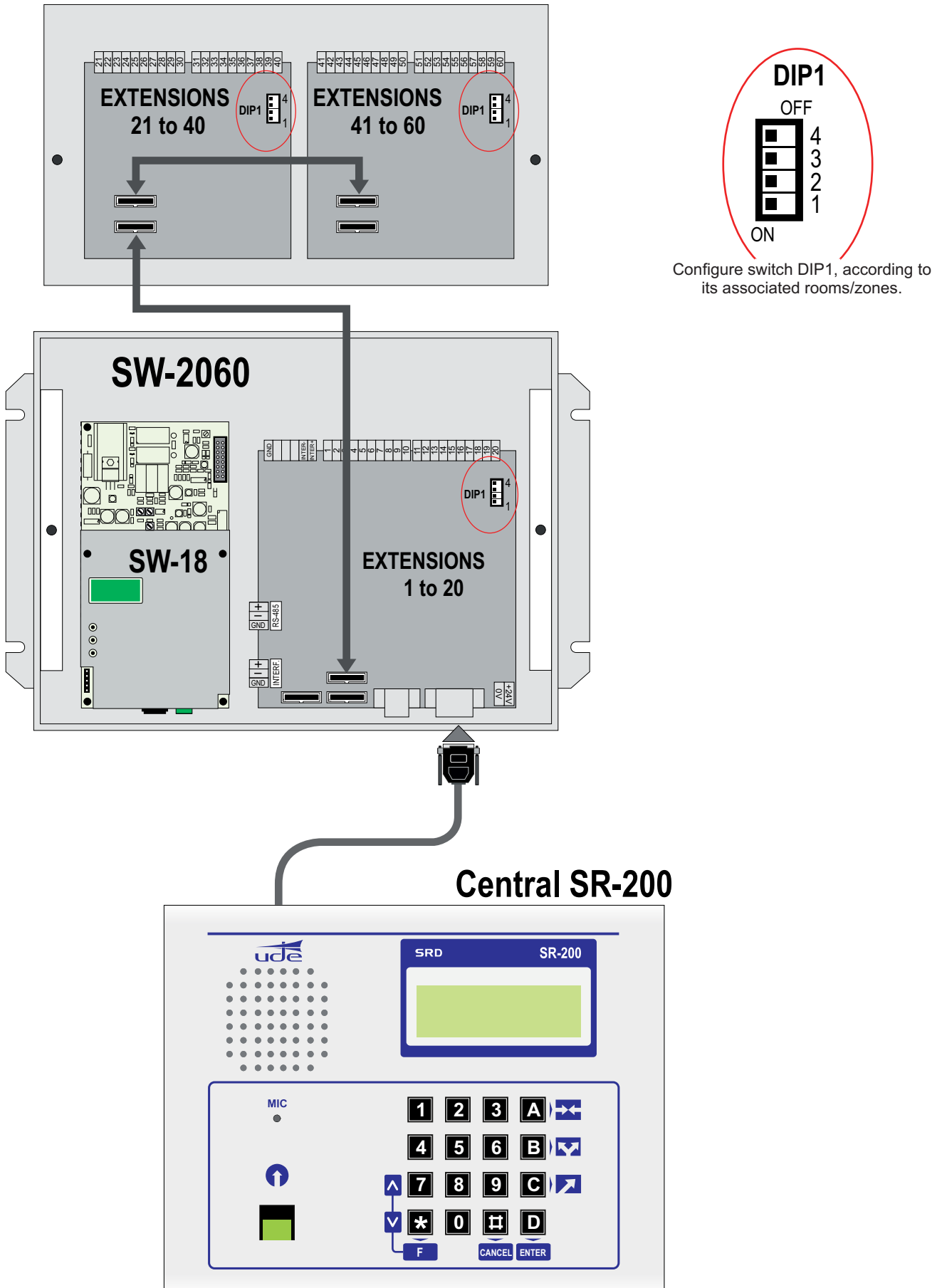


**INTERCONNECTED MODULES**  
Management / transfer / connection

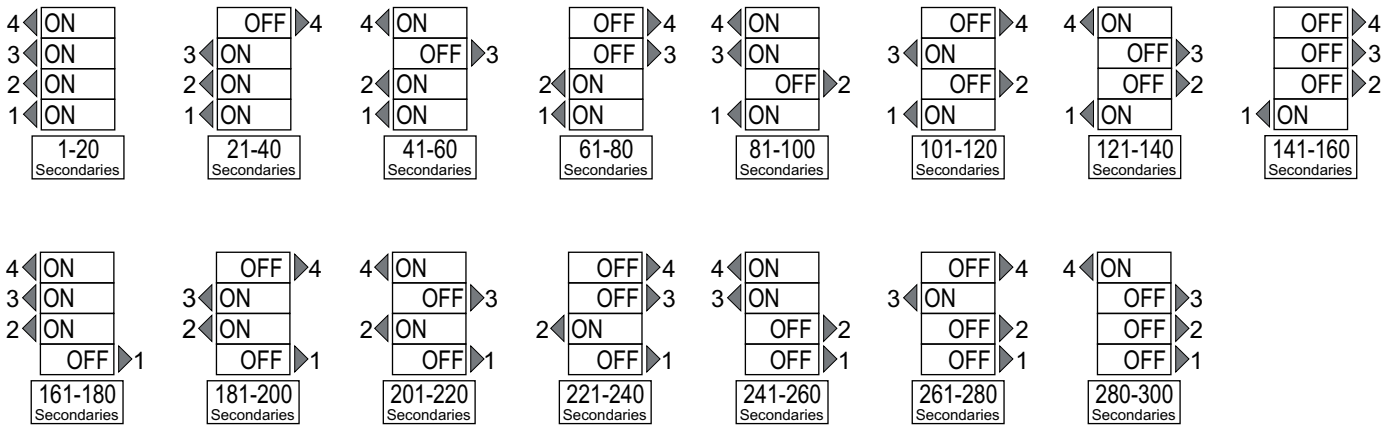
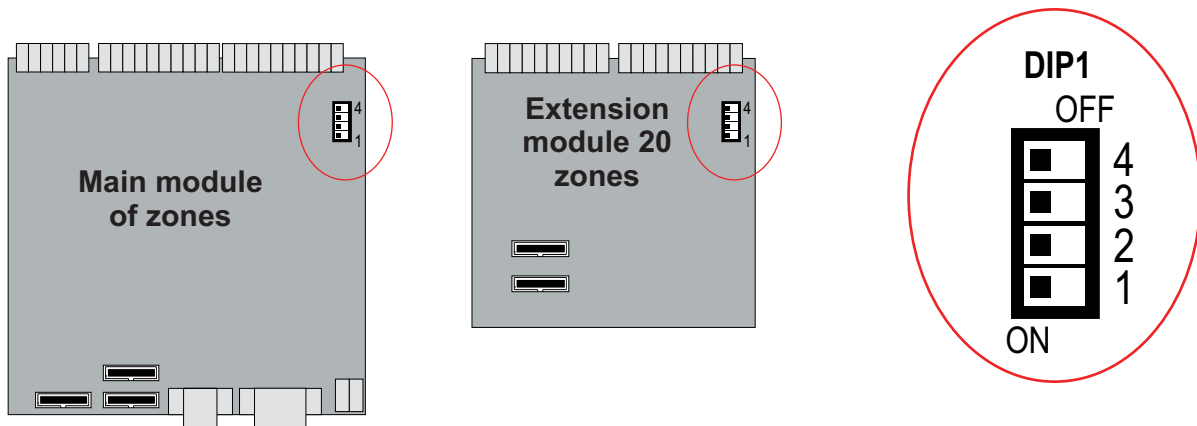
**INTERPHONY**  
1x2x0,34mm<sup>2</sup> shielded and braided cable min. section.

**RS485**  
1x2x0,34mm<sup>2</sup> shielded and braided cable min. section.

### Zone modules configuration



## Zone modules configuration



Before configuring the desks, it is recommended to check the correct (hard) configuration of the system. In the SRD Nurse call System, there is a number of secondaries in multiples of 20, (20 zones, 40, 60,...).

The connection numbering of the secondaries will start with number 1, and must be correlative.

This means that a 60-zone control panel consists of an SR-200 desk (identifier 1), a main module of zones 1-20, and two extensions of 20 zones each from 21-40 and 41-60 (these numbers correspond to the connection terminal of the call cable of each of the secondaries).

These numbers are assigned by means of switches on each zone module.

### System with several interconnected SR-200:

Interconnection between central stations allows incoming calls to be transferred from one station to another, with the possibility of attending to them from the second station.

The maximum capacity of secondaries within the same system is 300. When several centrals are interconnected, the assigned numbers must be correlative.

### Example of a system with 3 SR-200 stations and 220 secondaries:

- Central Station A: Desk n° 1. Secondary from 1 to 40
- Central Station B: Desk n° 2. Secondary from 41 to 100
- Central Station C: Desk n° 3. Secondary from 101 to 220

The configuration shall be made taking into account the whole system, including secondaries and central stations.