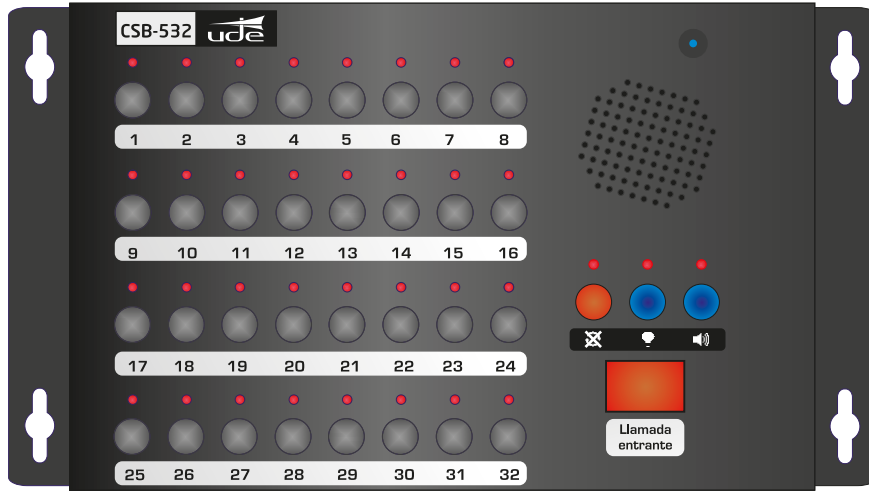


# CSB-532

32-zones call signalling central unit



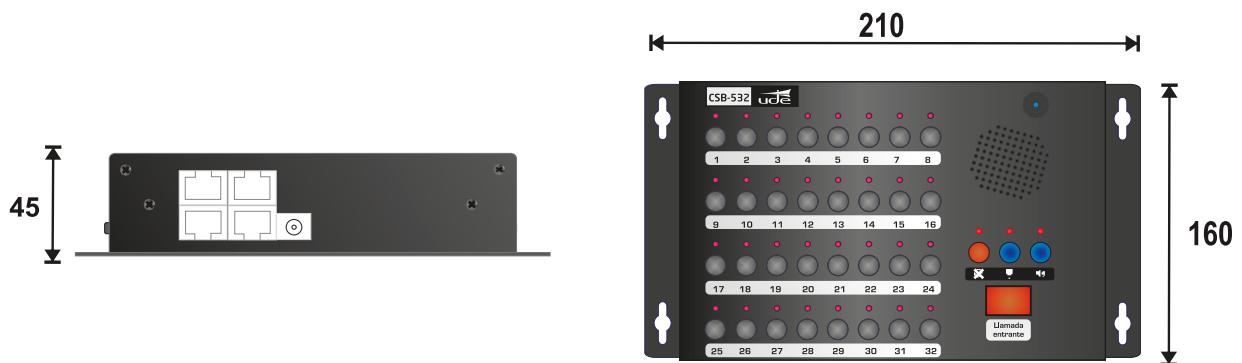
## Description

32-zone compact call signalling central unit compatible with SB-504 call modules.

Acoustic and optical incoming call indicator, individual push button per zone, active zone indicator LED.

Call remote control input. Finished in black sheet metal. Wall mounting accessories and rubber feet for desktop mounting supplied.

## Dimensions



DIMENSIONS EN MILLIMETERS  
Weight: 1,8KG



EQUIPOS Y SISTEMAS MEGAFONÍA/INTERCOM • PUBLIC ADDRESS SYSTEMS

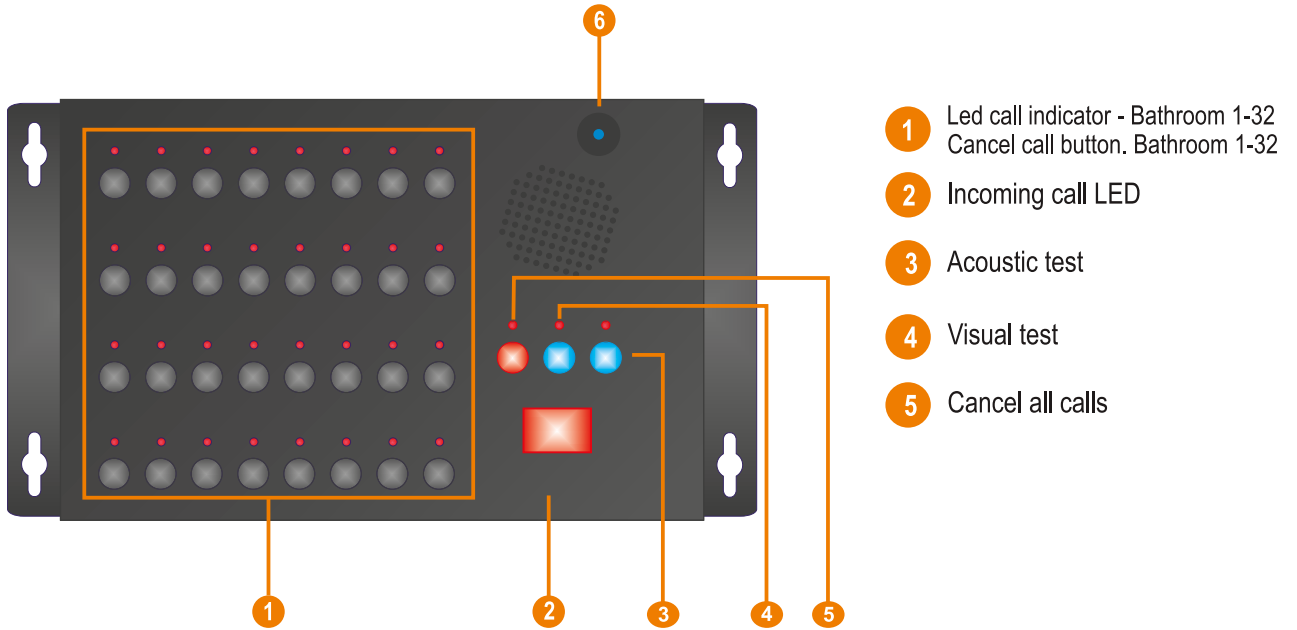
**UNIÓN DESARROLLOS ELECTRÓNICOS**

Tel.: +34 934 772 854 / +34 609 914 787 • ude@udeaudio.com • BARCELONA - SPAIN

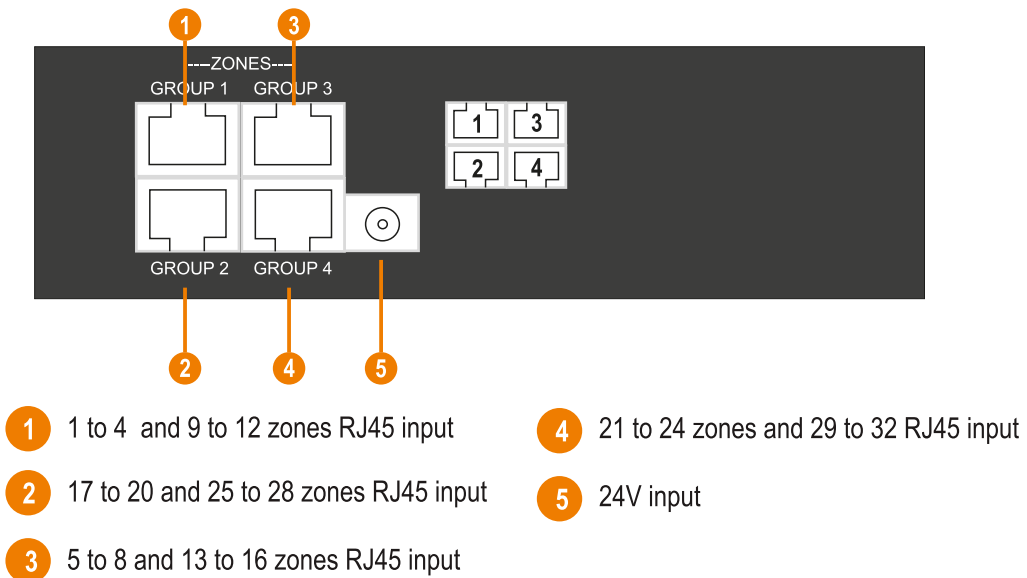
[www.udeaudio.com](http://www.udeaudio.com)

rev.1 | 610.568a | 1 / 3

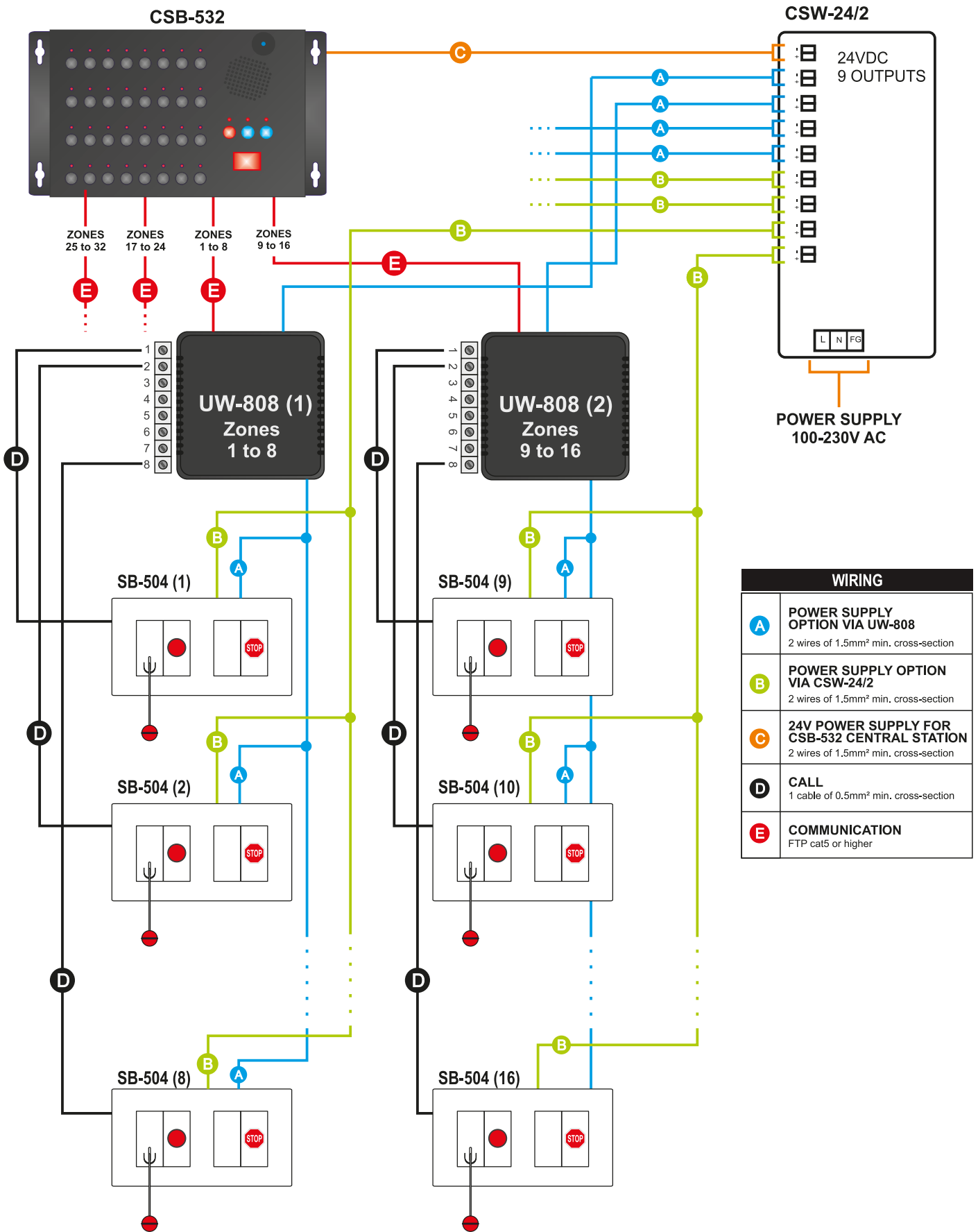
## Front panel



## Rear panel



### Connection diagram



WIRING	
<b>A</b>	<b>POWER SUPPLY OPTION VIA UW-808</b> 2 wires of 1.5mm <sup>2</sup> min. cross-section
<b>B</b>	<b>POWER SUPPLY OPTION VIA CSW-24/2</b> 2 wires of 1.5mm <sup>2</sup> min. cross-section
<b>C</b>	<b>24V POWER SUPPLY FOR CSB-532 CENTRAL STATION</b> 2 wires of 1.5mm <sup>2</sup> min. cross-section
<b>D</b>	<b>CALL</b> 1 cable of 0.5mm <sup>2</sup> min. cross-section
<b>E</b>	<b>COMMUNICATION</b> FTP cat5 or higher