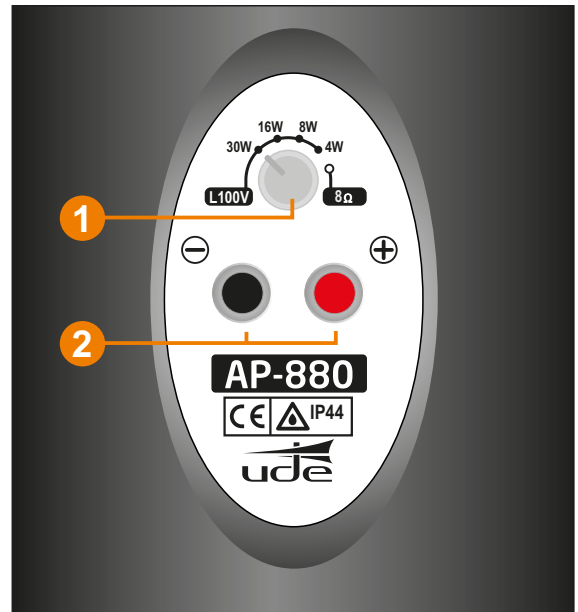


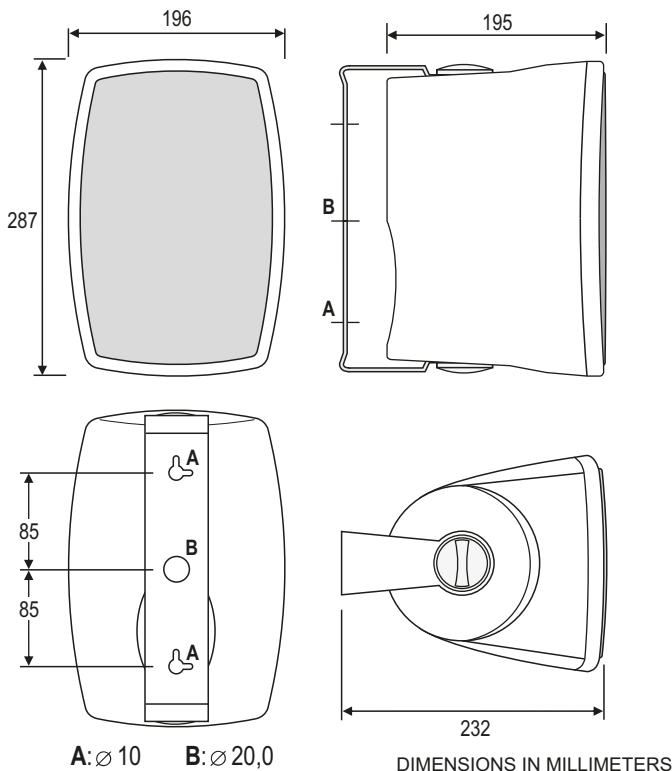
AP-880

Two-way acoustic box



1 Rotatory switch selector

2 Terminal block



2 Ways, weatherproof, wall mount speaker for indoor and outdoor.

TECHNICAL FEATURES

- Woofer:	6,5" (propylene).
- Tweeter:	1"(silk dome).
- Power (8 ohms):	45W. RMS./ 120W. max.
- Power selection:	Rotatory switch selector.
- Power (L100V):	30W - 16W - 8W - 4W.
- Wiring:	Terminal block.
- Frequency range:	40 Hz - 20 KHz.
- SPL level (1m / 1W / 1 kHz):	91 dB.
- Material:	ABS / Aluminium grille.
- IP rating:	IP44.
- Color:	Black.
- Dimensions:	196 x 287 x 195 mm.
- Weight:	2,8 Kgs.
- Mounting bracket included.	



EQUIPOS Y SISTEMAS MEGAFONÍA / INTERCOM • PUBLIC ADDRESS SYSTEMS

UNIÓN DESARROLLOS ELECTRÓNICOS

Tel.: +34 934 772 854 / +34 609 914 787 • ude@udeaudio.com • BARCELONA - SPAIN

www.udeaudio.com

rev.0 | 610.520a | 1 / 1