



Description

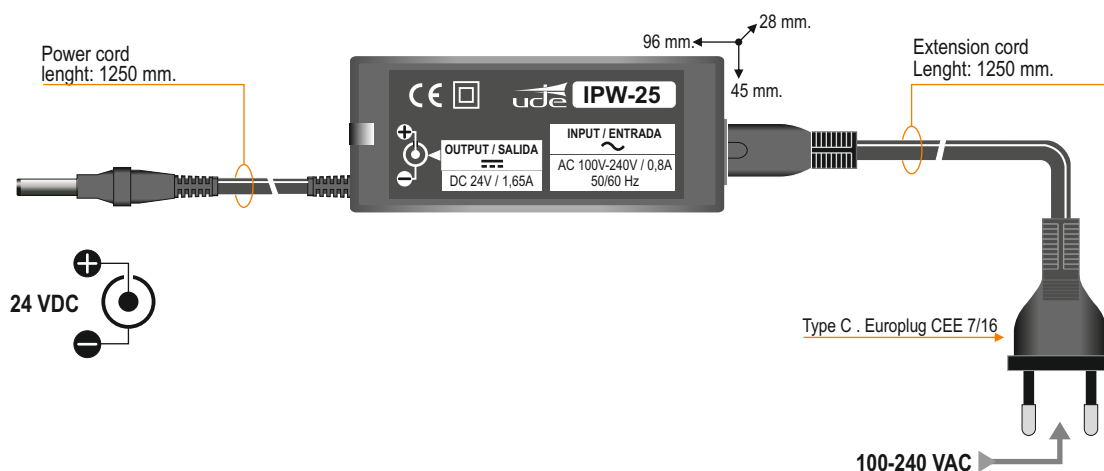
The IPW-25 powers with a high efficiency all IPU range of UNION DESARROLLOS ELECTRONICOS (except IPU-360). The power supply is built-in unit and can be mounted inside rack cabinets or on desktops.

All power supply sides must have a clearance of at least 20mm space for cooling.

The power supply has a +24VDC output with a maximum 40W power with AC input connection with rated voltages of 100V – 240V~ (50/60Hz). Specifications at rated input voltage and ambient temperature +25 °C (unless otherwise specified).

Technical characteristics

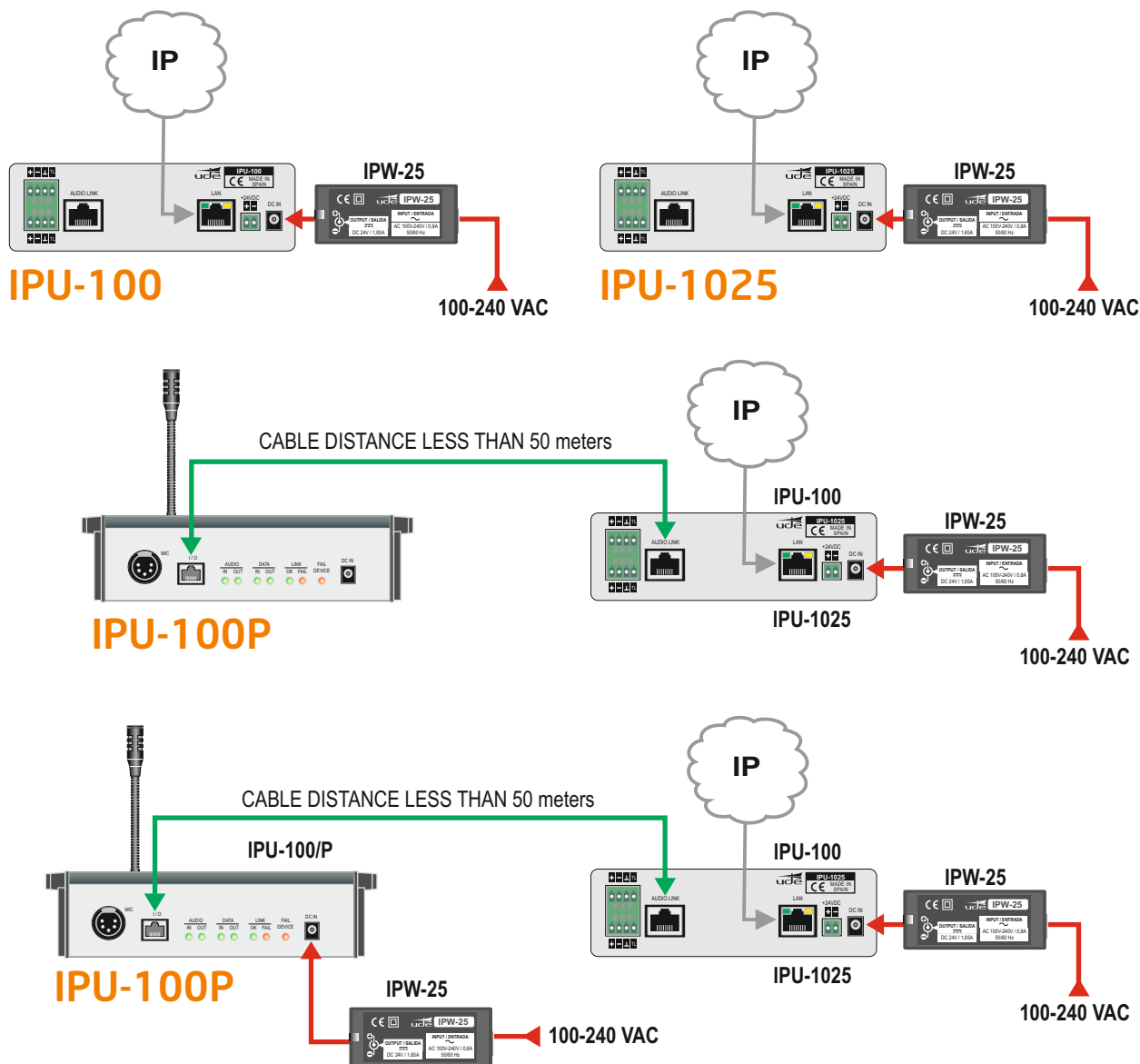
AC Input:	100-240 VAC 50/60 Hz.
Max. power:	24V.
DC Input:	1,65 A.
Max current:	40W.



Installation

- Do not block the cooling system due the normal convection. All sides 20mm free space for cooling is recommended.
- The device must be mounted in on a stable surface. It is no possible to fix it with screws.
- The power supply cannot have any stretch wire or installed hanging with one or two wires.

Power supply connection



Safety precautions

- Do not expose the unit to rain, an environment where it may be splashed by water or other liquids. Do not place cups, bowls or other liquid containers on the equipment.
- Installation should accomplish with all local, regional and national regulations according the country where it is installed.
- Setup and operation of this device are permitted only if the instructions and warnings of the corresponding documentation are observed.
- Only qualified personnel are allowed to install the device and set it into operation.
- Do not change the output electrical polarity of the power supply, it may cause equipment damage.