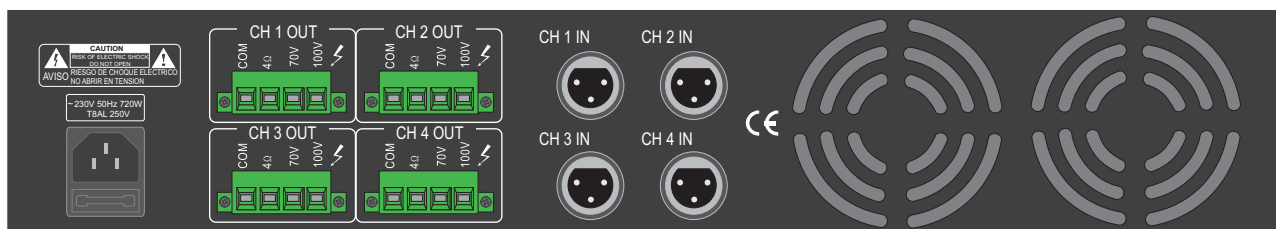
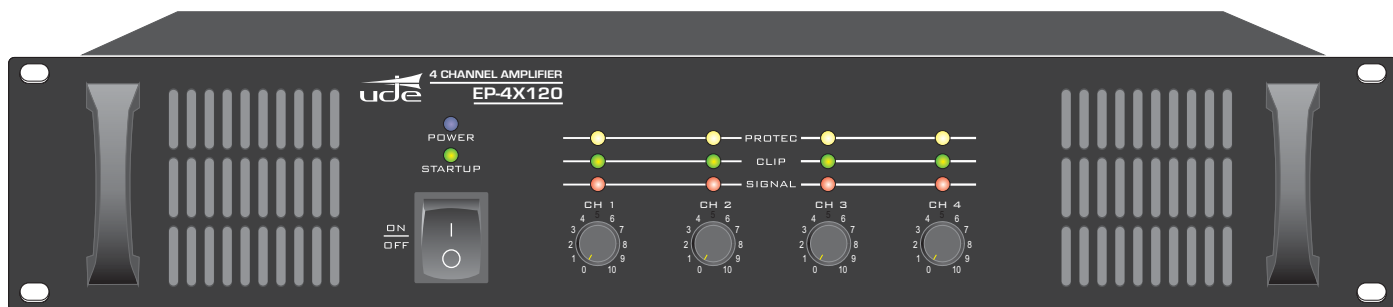


EP-4X120

POWER AMPLIFIER
4 x 120 W. RMS



DESCRIPTION

The **EP-4x120** power amplifier has four independent channels output with low impedance (4-16 ohms), 70V and 100 lines, outputs. The mechanical and electronic design is based for professional sound applications.

EP-4x120 features are:

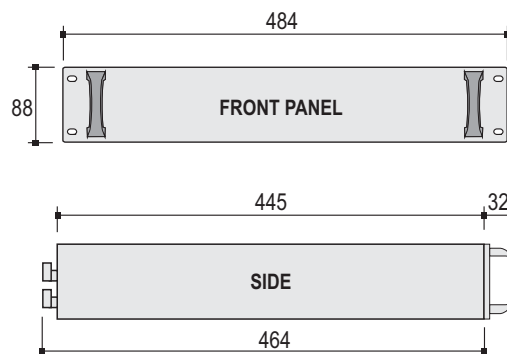
- LED indicators for each channel.
- Electronic protection against short circuits and over temperature.
- Forced ventilation system.

TECHNICAL DATA

- Output power:	120 W RMS a 1kHz for channel.
- Impedance:	4 - 16 ohms for channel.
- Voltage output:	L70V - L100V for channel.
- Distortion (TDH):	Less than 1%.
- Frequency response:	50 Hz. to 16 Khz.
- Max power consumption:	1500 W.
- 4 line balanced inputs (775 mV / 0 dB):	INPUT 1 (XLR). INPUT 2 (XLR). INPUT 3 (XLR). INPUT 4 (XLR).
- Power supply:	230 VAC (50/60 Hz).
- Weight:	19,5 Kg.

DIMENSIONS IN MILLIMETERS

2U - Rack 19"



EQUIPOS Y SISTEMAS MEGAFONÍA / INTERCOM • PUBLIC ADDRESS SYSTEMS

UNIÓN DESARROLLOS ELECTRÓNICOS

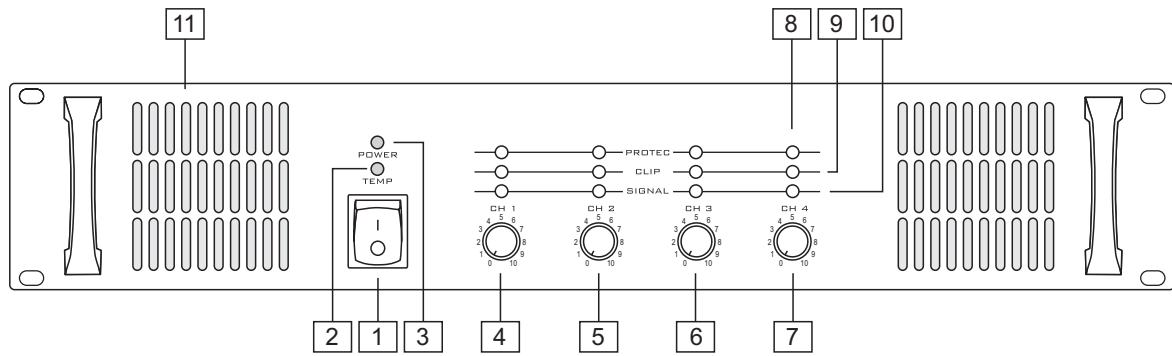
Tel.: +34 934 772 854 / +34 609 914 787 • ude@udeaudio.com • BARCELONA - SPAIN



www.udeaudio.com

rev.0 610.508A 1 / 2

FRONT PANEL

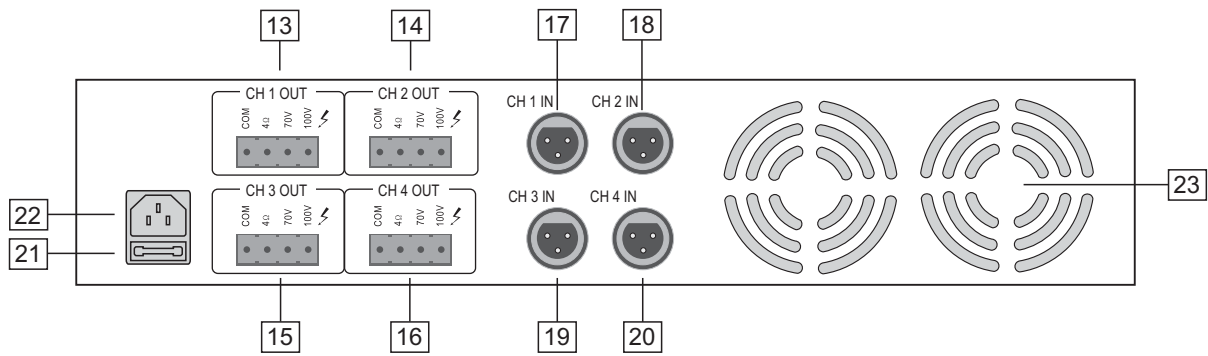


- [1] Power switch ON/OFF.
- [2] Temperature indicator (note 1)
- [3] Power led indicator.
- [4] Volume control. Channel 1
- [5] Volume control. Channel 2
- [6] Volume control. Channel 3
- [7] Volume control. Channel 4
- [8] Protection indicators (note 2)
- [9] Clipping indicators.
- [10] Signal indicators.
- [11] Cooling system.

Note 1: The temperature indicator will switch on if the equipment temperature is greater than 90°C. The output can be disabled to avoid internal damage, the equipment will automatically enable when the temperature is stabilized.

Note 2: When protection indicators switch on, switch off the amplifier manually and test if the loudspeakers lines have an excessive number of speakers or have one shortcircuit.

REAR PANEL



- [13] Loudspeaker Output 1 (4-16 Ω / L70V-L100V)
- [14] Loudspeaker Output 2 (4-16 Ω / L70V-L100V)
- [15] Loudspeaker Output 3 (4-16 Ω / L70V-L100V)
- [16] Loudspeaker Output 4 (4-16 Ω / L70V-L100V)
- [17] Input 1 (XLR) balanced line
- [18] Input 2 (XLR) balanced line
- [19] Input 3 (XLR) balanced line
- [20] Input 4 (XLR) balanced line
- [21] AC Fuse (T8A)
- [22] Power supply wire (230 VAC)
- [23] Cooling system.

CONNECTOR CONNECTIONS

