



Intercommunication and PA system for facilities in hazardous areas.



Approval

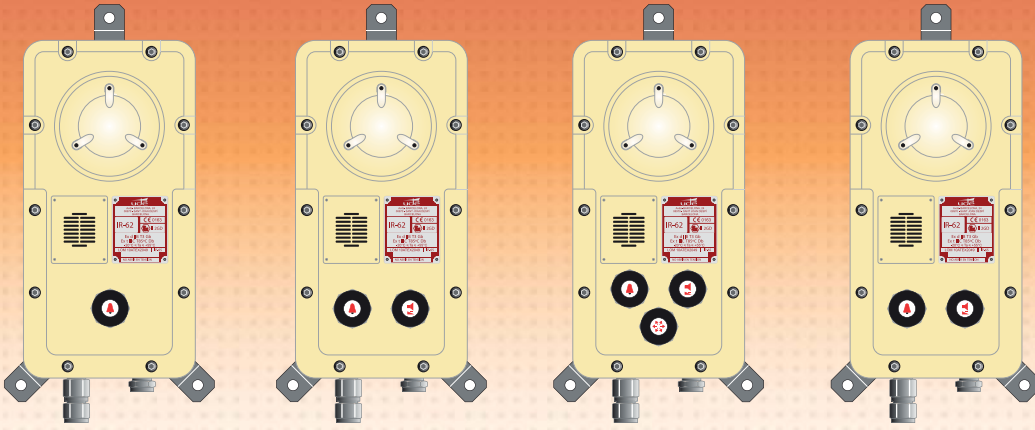
II 2 GD
 Ex d IIB T3 Gb
 Ex t IIIC T85 °C Db
 -20 °C ≤ Ta ≤ +55 °C

Applications

- Petrochemistry.
- Plants for gas load, unload and storage.
- Gas pipelines.
- Silos.
- Oil ship.
- Oil plants.



INTERCOM SUBSTATION. Certification LOM 10ATEX2049



IR-62/1

Includes:
 - Push button for call / General notice
 - 30 W. Loudspeaker. L100V
 - Electret microphone
 - Protection degree: IP-65

IR-62/2

Includes:
 - Push button for central call
 - Push button for volume reduction
 - 30W. Loudspeaker. L100V
 - Electret microphone
 - Protection degree: IP-65

IR-62/3

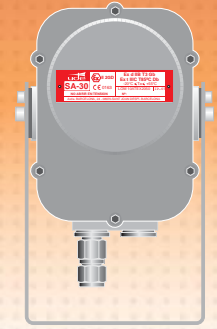
Includes:
 - Push button for general call
 - Push button for central call
 - Push button for volume reduction
 - 30W. Loudspeaker. L100V
 - Electret microphone
 - Protection degree: IP-65

IR-62/P

Includes:
 - Push button for central call
 - Push button for volume reduction
 - 30W. Loudspeaker. 16 ohms
 - Electret microphone
 - Protection degree: IP-65

DRIVER UNIT FOR HORN LOUDSPEAKER

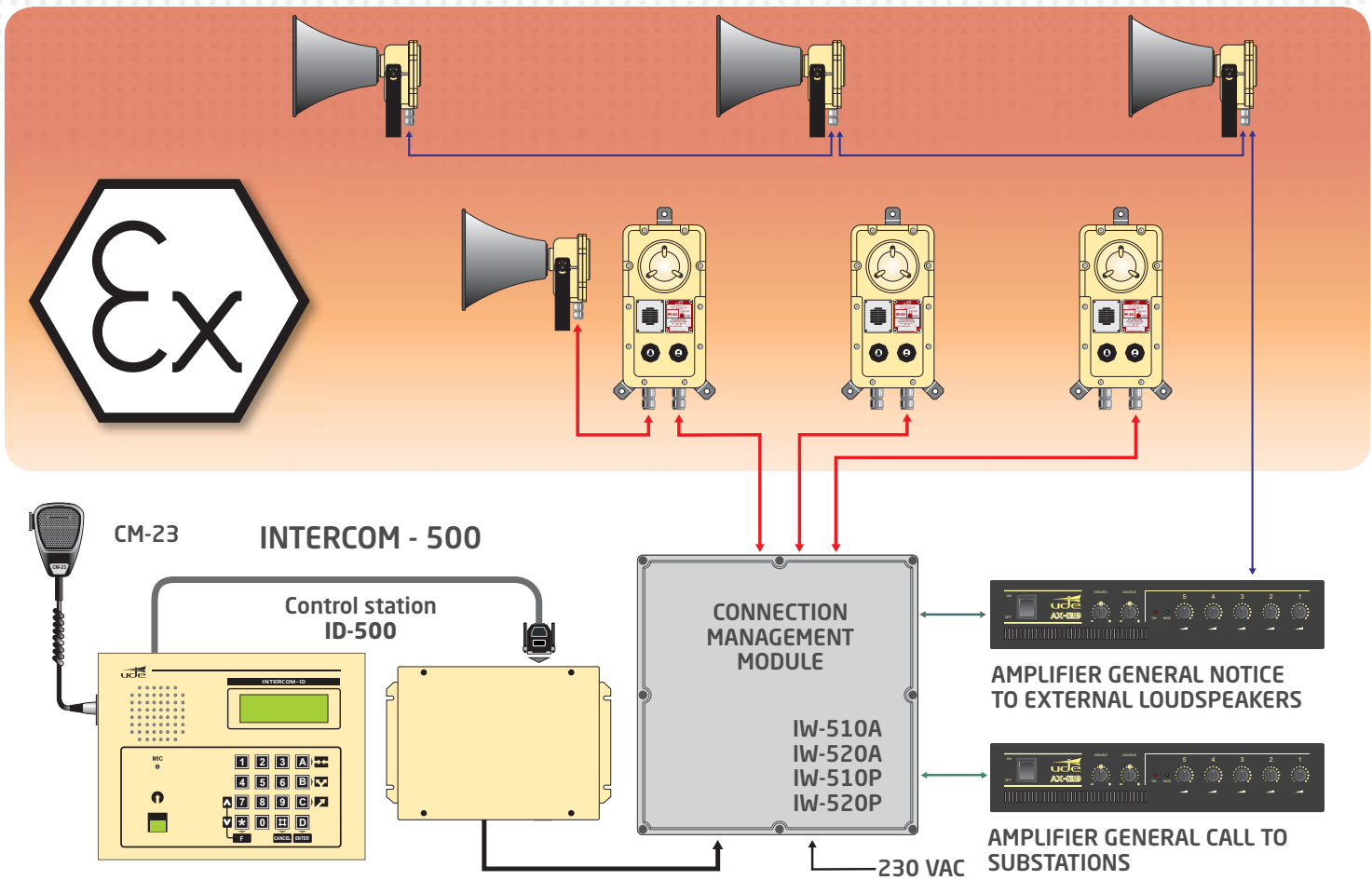
Certification: LOM 10ATEX2050



SA-30

- Power (L100V): 30,15,7'5,3 W
 - Direct impedance: 16 ohms
 - Frequency range: 150-10000Hz
 - SPL (1KHz/1m): 107 dB (1W).
 Application:
 - BP-30/SA-30. - BG-50/SA-30
 - SA-30/S. As standard EN 60849
 - Protection degree: IP-65

Application used for industrial and marine environments with potential danger of explosion. These can be used in atmospheres with types of gas A and B, with an ignition temperature higher than 200 °C (T3), which means they can be used in a high number of security facilities.
 The superficial temperature tag "T85°C" refers to the use in environments with combustible powder in absence of gas. LOM 10ATEX2049 and LOM 10ATEX2050 certifications are valid for every country in the European Union.



**UNION
 DESARROLLOS
 ELECTRONICOS**

Tel. 34 - 93 477 28 54
 Fax. 34 - 93 261 17 52
 ude@udeaudio.com

For more information visit our website:
www.udeaudio.com